

Contents

Spare parts Drawings

Whiting

Standard Dry Freight	2-3
Whiting Dry Freight c/w silent running kit	4-5
Excel	6-7
Insulated TS50	8-9
Insulated TS50C	10-11
Insulated TS60C	12-13
Insulated ColdSaver	14-15
Continental <i>II</i>	16-17
Continental <i>III</i>	18-19
Whiting shutter lock options	20-23
Balancer	24-25

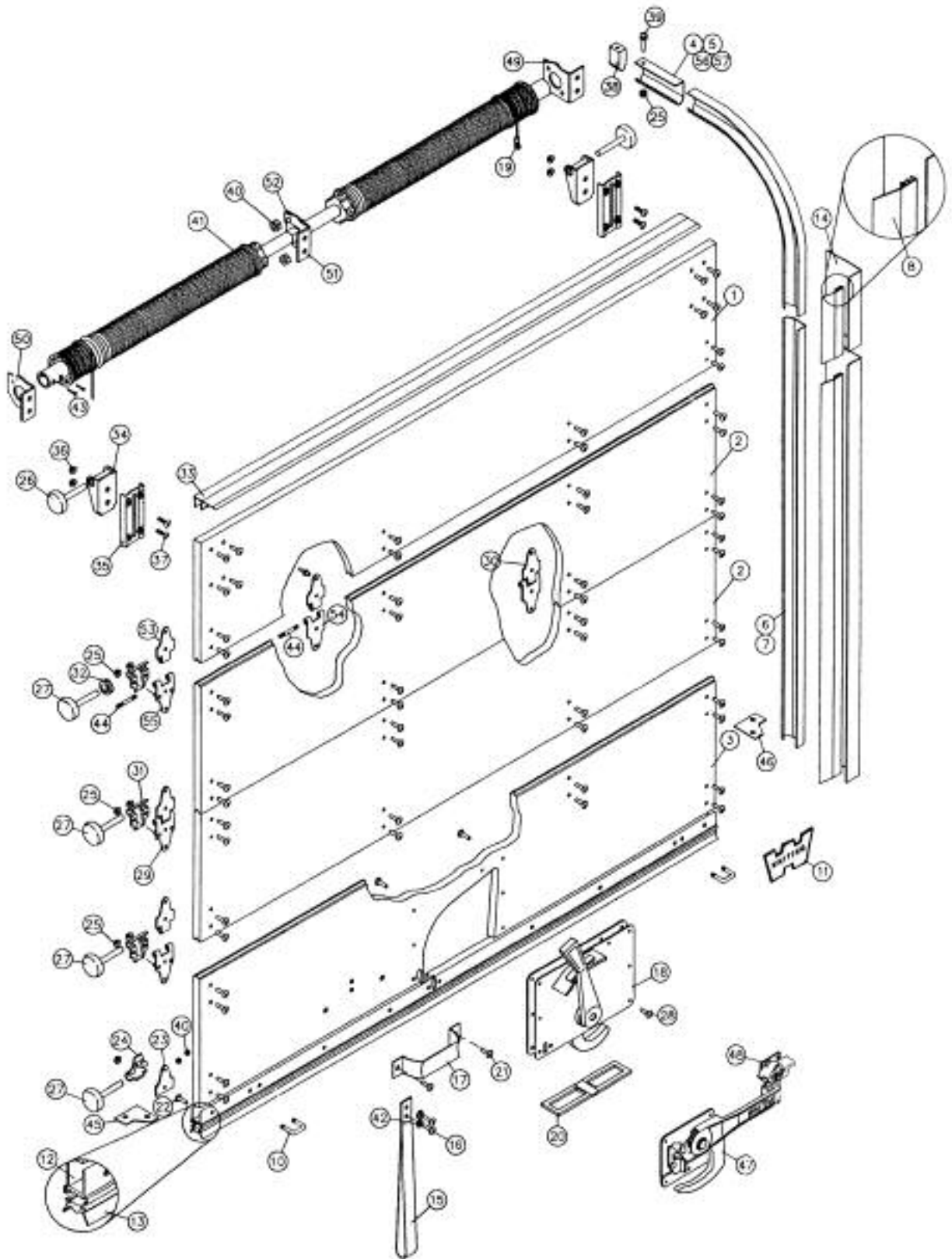
Robinson

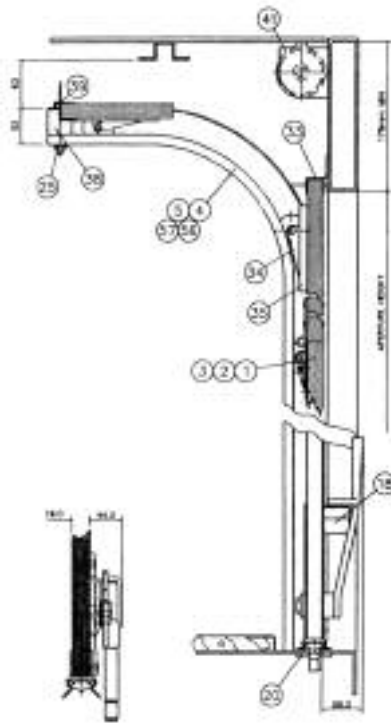
Roll Type 57mm c/w hasp & staple	26-27
Roll Type 34mm c/w hasp & staple	28-29
Roof Roll 57mm c/w hasp & staple	30-31
Roof Roll 34mm c/w hasp & staple	32-33
Roof Roll 34mm c/w lift bar & minimum radius corners	34-35
Under Roof 57mm c/w hasp & staple	36-37
Under Roof 34mm c/w hasp & staple	38-39
Robinson shutter lock options	40-49

LoadMaker

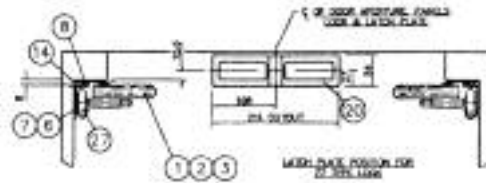
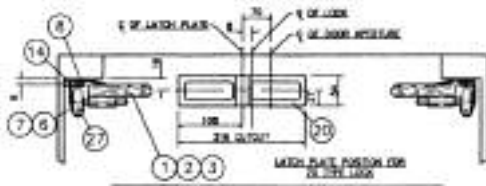
Standard LoadMaker Bulkhead, showing all spare parts	50-51
--	-------

Whiting Standard Dry Freight

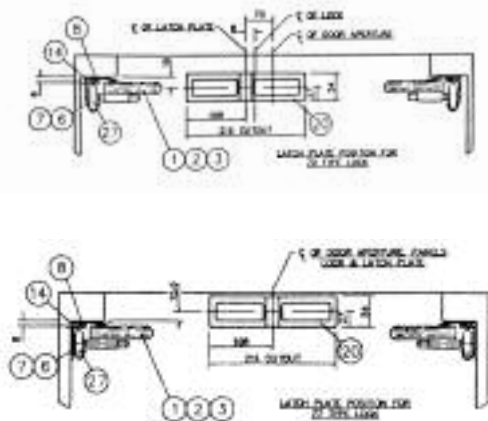
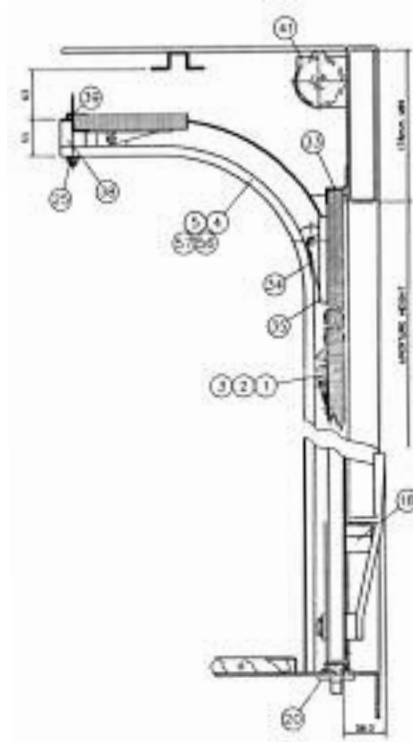




77 TYPE LOCK WIDTH

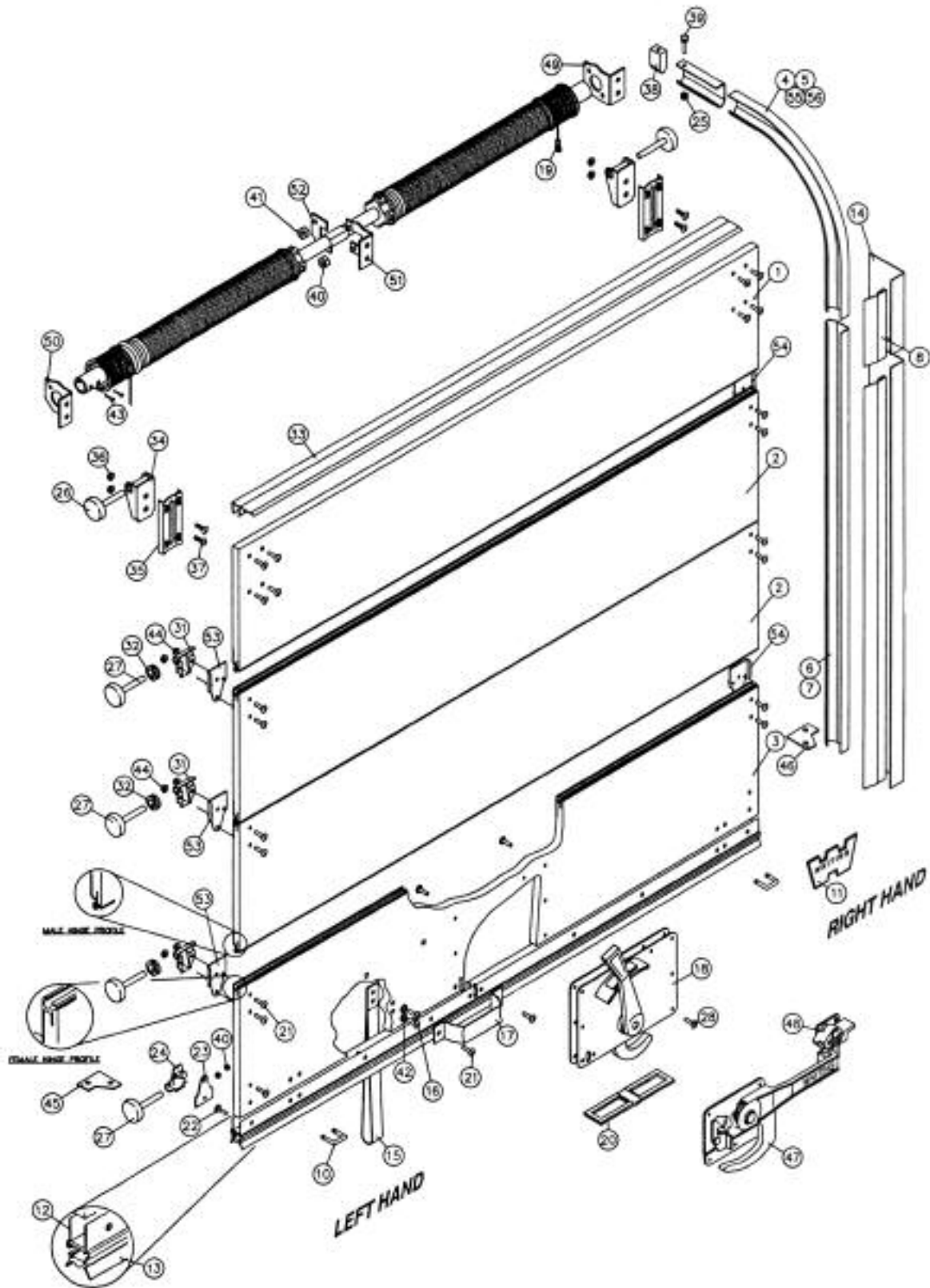


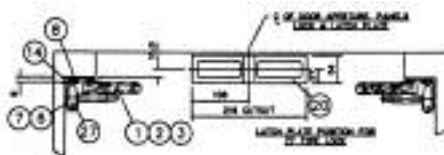
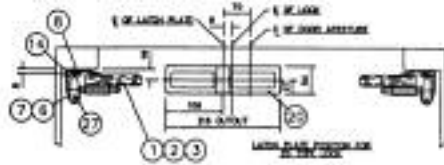
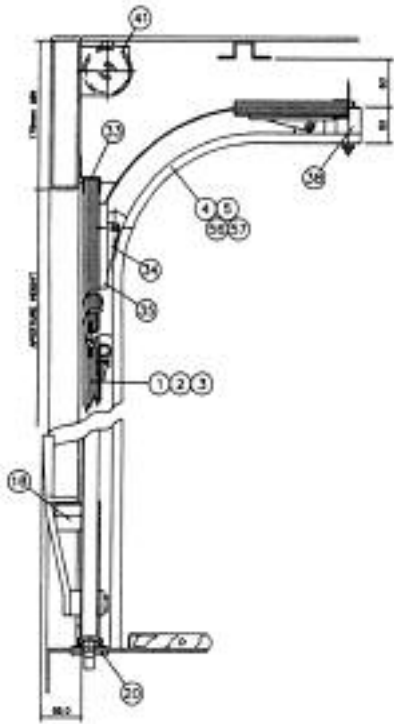
Item No	Description
1,2,3	Top, Intermediate & Bottom Panels, Vary According To Door Number
4	Horiz.Track 254mm (10") Radius O/S
5	Horiz.Track 254mm (10") Radius N/S
6	Vert.Track O/S
7	Vert.Track N/S
8	Side Seal 2743mm
9	
10	'U' Bolt - Cable Anchor
11	Nameplate
12	Bottom 'U' channel Aluminium
13	Bottom Seal 2440mm
14	Mounting Angle 57mm x 63mm
15	Pull Strap Std. Length 15"
16	Rivet - Semi Tubular 1/4" x 1 3/16"
17	Grab Handle - 'E' Coated
18	70 Type Lock Assembly 'E' Coated
19	Cable - 3175mm (125")
20	Latch Plate M/S
21	Rivet Semi - Tubular 1/4" x 1"
22	Rivet Semi - Tubular 1/4" x 1 1/8"
23	Bottom Roller Bracket
24	Bottom Roller Cover
25	1/4" Kep Nut
26	Track Roller (Steel)
27	Track Roller (Nylon)
28	Rivet Semi Tubular 1/4" x 1"
29	Roller Hinge 'E' Coated
30	Centre Hinge 'E' Coated
31	Roller Clamp 'E' Coated
32	Spacer Washer - Roller Shaft
33	Top Seal (Dual Durometer)
34	Top Closure Slide 'E' Coated
35	Top Closure Base 'E' Coated
36	Top Closure Nut 5/16"
37	Top Closure Bolt
38	Track Stop Bumper
39	Bolt - Track Stop
40	Whiz Nut
41	Balancer Assy
42	Penny Washer
43	Split Pin
44	Knurl Pin - For Joining Panels
45	Corner Plate - N/S
46	Corner Plate - O/S
47	77 Type Lock Assy 'E' Coated
48	Keeper For Lock Type 77
49	Balancer Mounting Bracket O/S
50	Balancer Mounting Bracket N/S
51	Balancer Mounting Bracket Centre
52	Balancer Mounting Bracket Torque
53	Male Half Hinge
54	Female Half Hinge
55	Female Half Hinge (with studs)
56	Horiz.Track 203mm (8") Radius O/S
57	Horiz.Track 203mm (8") Radius N/S



Item No	Description
1,2,3	Top, Intermediate & Bottom Panels, Vary According To Door Number
4	Horiz.Track 254mm (10") Radius O/S
5	Horiz.Track 254mm (10") Radius N/S
6	Vert.Track O/S
7	Vert.Track N/S
8	Side Seal 2743mm
9	
10	'U' Bolt - Cable Anchor
11	Nameplate
12	Bottom 'U' channel Aluminium
13	Bottom Seal 2440mm
14	Mounting Angle 57mm x 63mm
15	Pull Strap Std. Length 15"
16	Rivet - Semi Tubular 1/4" x 1 3/16"
17	Grab Handle - 'E' Coated
18	70-202-300 Type Lock Assembly C/W Yale Cylinder
19	Cable - 3175mm (125")
20	Latch Plate M/S
21	Rivet Semi - Tubular 1/4" x 1"
22	Rivet Semi - Tubular 1/4" x 1 1/8"
23	Bottom Roller Bracket
24	Roller Clamp
25	1/4" Kep Nut
26	Track Roller (Steel)
27	Track Roller (Nylon)
28	Rivet Semi Tubular 1/4" x 1"
29	Acetal Bush - Delrin Anti Noise Hinge
30	Nylon Sleeve 56mm Long
31	Bottom Roller Cover
32	Spacer Washer - Roller Shaft
33	Top Seal (Dual Durometer)
34	Top Closure Slide 'E' Coated
35	Top Closure Base 'E' Coated
36	Top Closure Nut 5/16"
37	Top Closure Bolt
38	Track Stop Bumper
39	Bolt - Track Stop
40	Whiz Nut
41	Balancer Assy
42	Penny Washer
43	Split Pin
44	Knurl Pin - For Joining Panels
45	Corner Plate - N/S
46	Corner Plate - O/S
47	77 Type Lock Assy 'E' Coated
48	Keeper For Lock Type 77
49	Balancer Mounting Bracket O/S
50	Balancer Mounting Bracket N/S
51	Balancer Mounting Bracket Centre
52	Balancer Mounting Bracket Torque
53	Male Half Hinge
54	Female Half Hinge
55	Female Half Hinge (with studs)
56	Horiz.Track 203mm (8") Radius O/S
57	Horiz.Track 203mm (8") Radius N/S
58	Not Available as single Item
59	Silent Running Bush

Whiting Dry Freight Excel

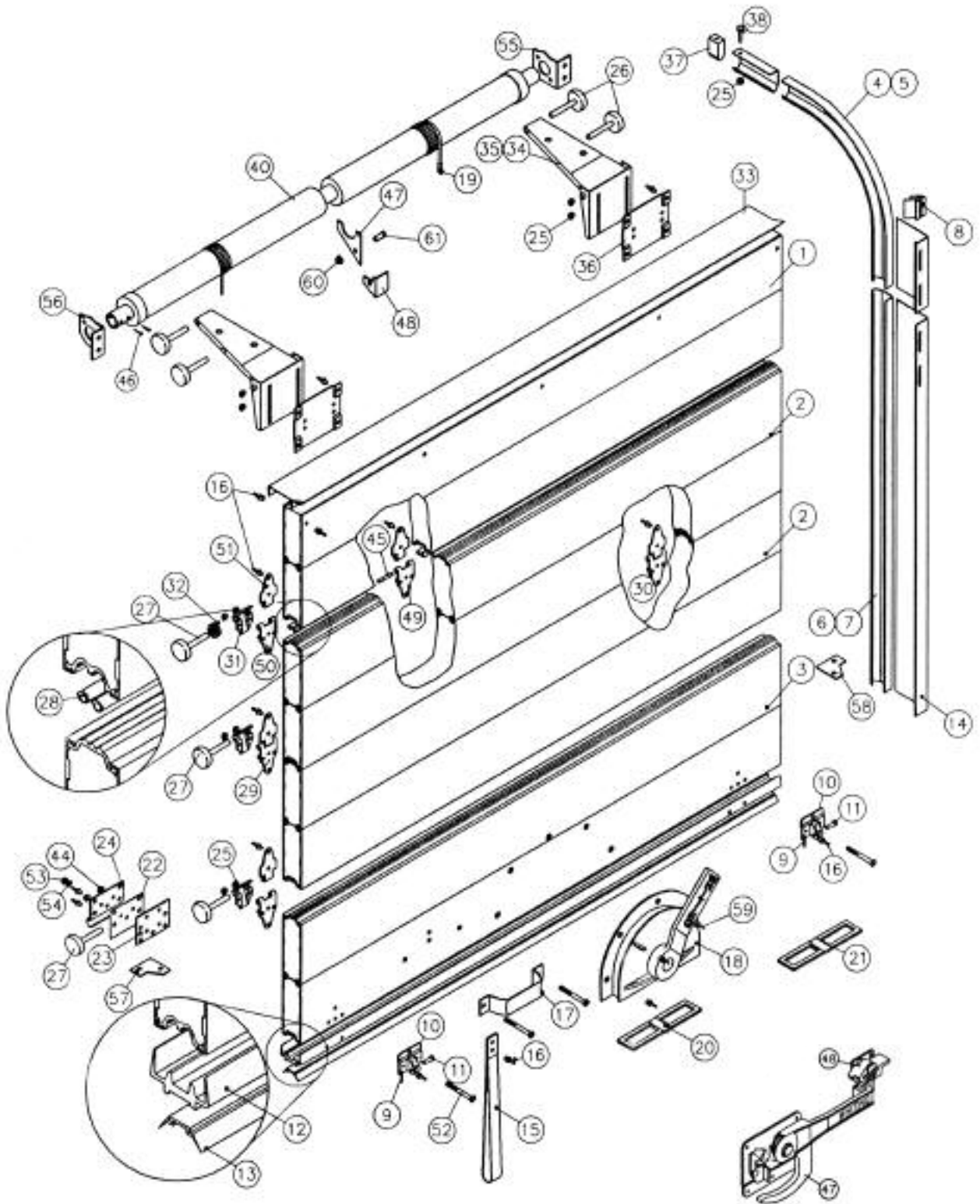


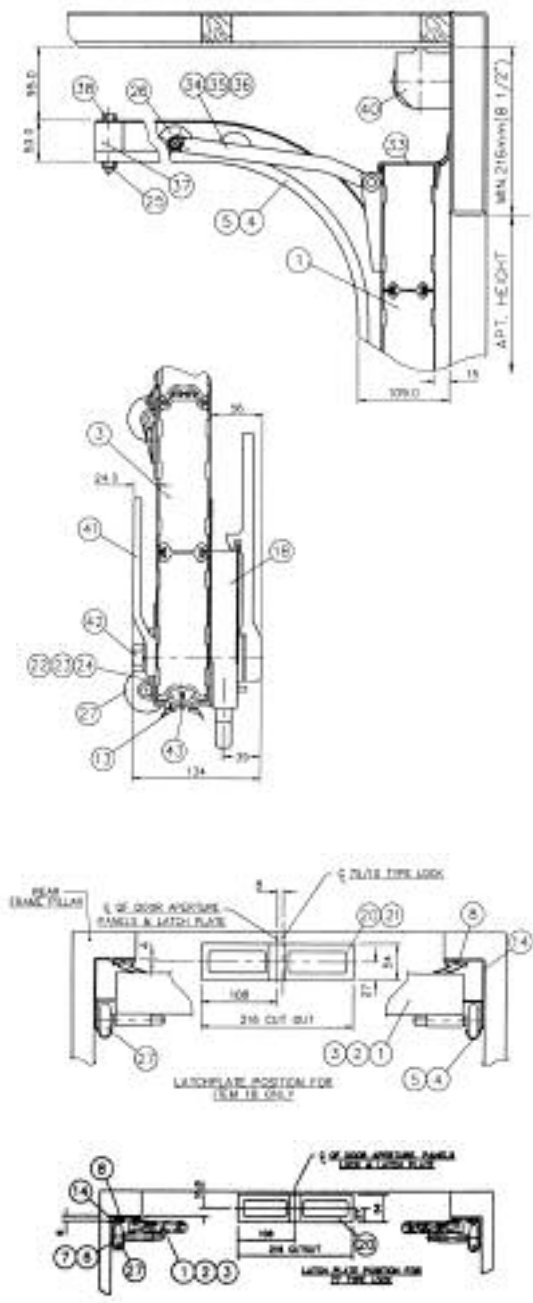


77 TYPE LOCK WIDTH

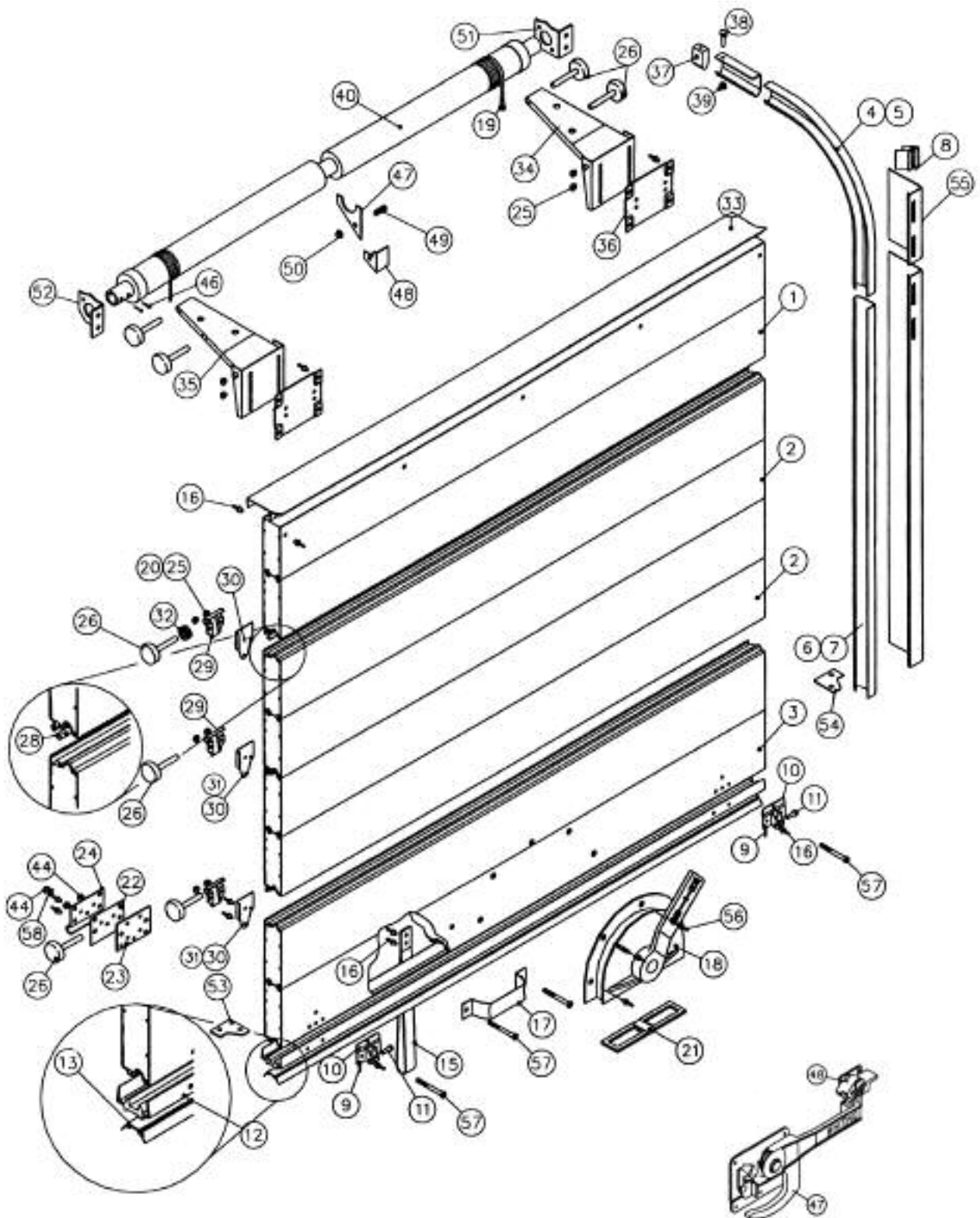


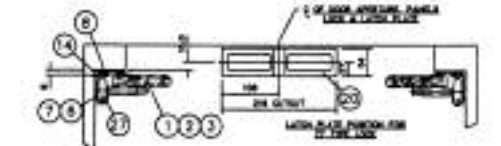
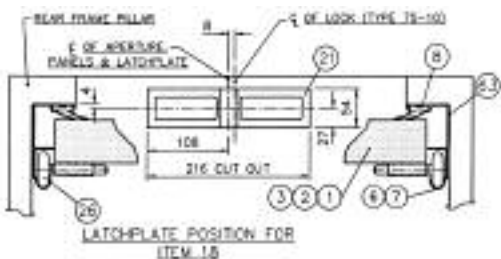
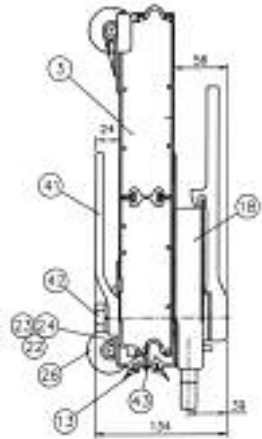
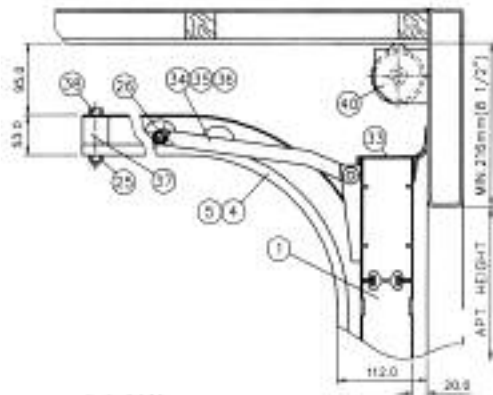
Item No	Description
1,2,3	Top, Intermediate & Bottom Panels, Vary According To Door Number
4	Horiz.Track 254mm (10") Radius O/S
5	Horiz.Track 254mm (10") Radius N/S
6	Vert.Track O/S
7	Vert.Track N/S
8	Side Seal 2743mm
9	
10	'U' Bolt - Cable Anchor
11	Nameplate
12	Bottom 'U' channel Aluminium
13	Bottom Seal 2440mm
14	Mounting Angle 57mm x 63mm
15	Pull Strap Std. Length 15"
16	Rivet - Semi Tubular 1/4" x 1 3/16"
17	Grab Handle - 'E' Coated
18	70 Type Lock Assembly 'E' Coated
19	Cable - 3175mm (125")
20	Latch Plate M/S
21	Rivet Semi - Tubular 1/4" x 1"
22	Rivet Semi - Tubular 1/4" x 1 1/8"
23	Bottom Roller Bracket
24	Bottom Roller Cover
25	1/4" Kep Nut
26	Track Roller (Steel)
27	Track Roller (Nylon)
28	Rivet Semi Tubular 1/4" x 1"
29	
30	
31	Roller Clamp 'E' Coated
32	Spacer Washer - Roller Shaft
33	Top Seal (Dual Durometer)
34	Top Closure Slide 'E' Coated
35	Top Closure Base 'E' Coated
36	Top Closure Nut 5/16"
37	Top Closure Bolt
38	Track Stop Bumper
39	Bolt - Track Stop
40	Whiz Nut
41	Balancer Assy
42	Penny Washer
43	Split Pin
44	M6 Lock Nuts
45	Corner Plate - N/S
46	Corner Plate - O/S
47	77 Type Lock Assy 'E' Coated
48	Keeper For Lock Type 77
49	Balancer Mounting Bracket O/S
50	Balancer Mounting Bracket N/S
51	Balancer Mounting Bracket Centre
52	Balancer Mounting Bracket Torque
53	Folded Anti Lozenge Bracket Near side (L/H) S/S
54	Folded Anti Lozenge Bracket Off side (R/H) S/S
55	Horiz.Track 203mm (8") Radius O/S
56	Horiz.Track 203mm (8") Radius N/S



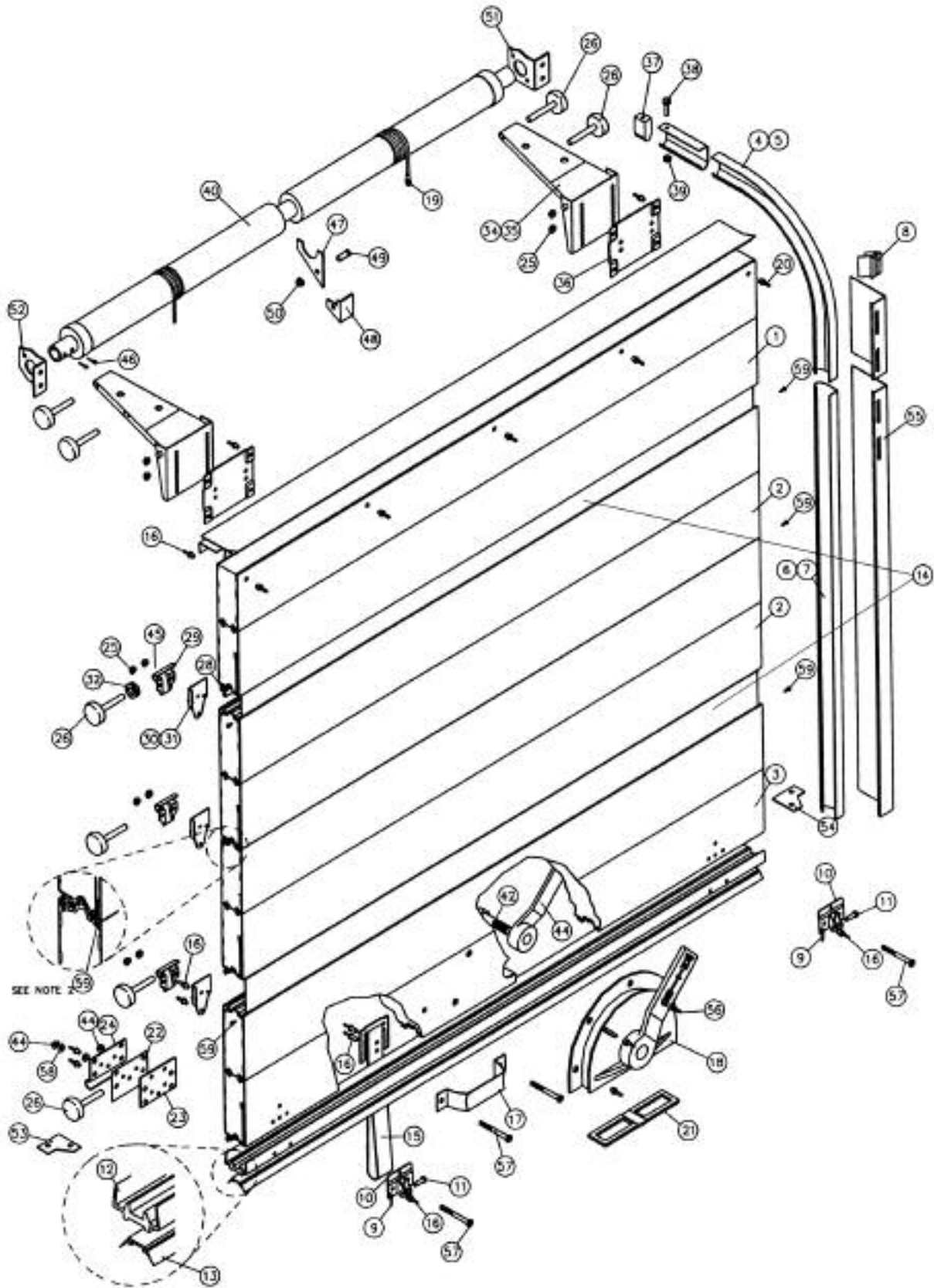


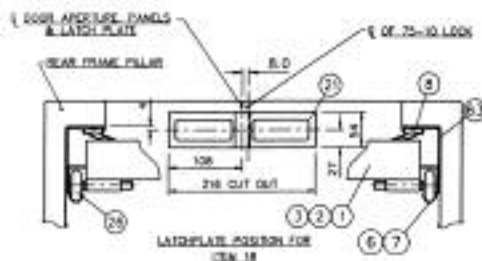
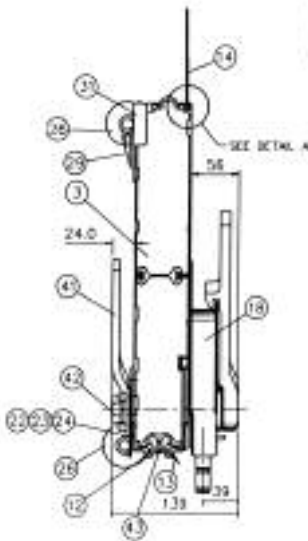
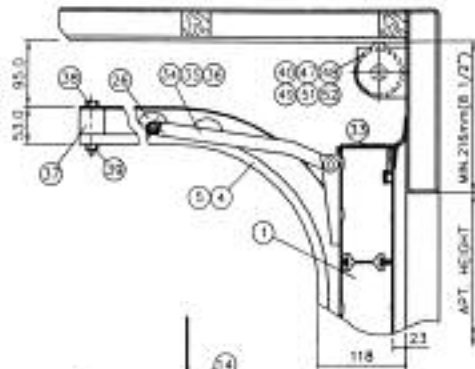
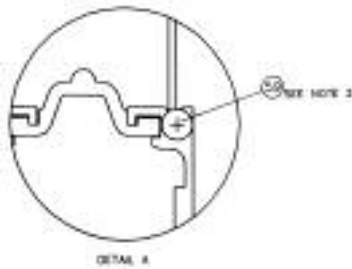
Item No	Description
1,2,3	Top, Intermediate & Bottom Panels, Vary According To Door Number
4	Horiz.Track 254mm (10") Radius O/S
5	Horiz.Track 254mm (10") Radius N/S
6	Vert.Track O/S
7	Vert.Track N/S
8	Side Seal 2743mm
9	Cotter Pin 3 x 19
10	'U' Bolt - Cable Anchor
11	Clevis Pin
12	Bottom Seal Retainer (Extruded PVC)
13	Bottom Seal Dual Durometer
14	Mounting Angle / Side Seal Carrier
15	Pull Strap Std. Length 15"
16	Rivet - Blind Hole - Pull Type
17	Grab Handle - 'E' Coated
18	75-10 Type Lock Assembly 'E' Coated
19	Cable - 3175mm (125")
20	Latch Plate M/S
21	Latch Plate S/S Option
22	} Bottom Roller Bracket Assembly
23	
24	
25	1/4" Kep Nut
26	Track Roller (Steel)
27	Track Roller (Nylon)
28	Seal - Inter Section PVC Grey Tubular
29	Roller Hinge 'E' Coated
30	Centre Hinge 'E' Coated
31	Roller Clamp 'E' Coated
32	Spacer Washer - Roller Shaft
33	Top Seal (Dual Durometer)
34	Top Panel Closure Bracket - O/S
35	Top Panel Closure Bracket - N/S
36	Mounting Bracket - Top Closure Arm
37	Track Stop Bumper
38	Bolt - Track Stop
40	Balancer Assy
41	Handle - Inside Release
42	Bolt For Item 41 5/8" x 5 1/2"
43	Self Tapping Screws For Item 13 16mm
44	Whiz Nut 5/16"
45	Knurl Pin - For Joining Panels
46	Split Pin 5mm x38mm
47	Yoke Support Bracket
48	Centre Bracket
49	Female Half Hinge
50	Female Half Hinge (With Studs)
51	Male Half Hinge
52	Screw M8 X 80 Slotted Pan Head
53	M8 Nyloc Nut S/S
54	M8 Flat Washer S/S
55	Mounting Bracket O/S
56	Mounting Bracket N/S
57	B Plan Plate N/S
58	B Plan Plate O/S
59	Avdel Hemlock Rivet
60	Whiz Nut 3/8"
61	Bolt 3/8" x 3/4"





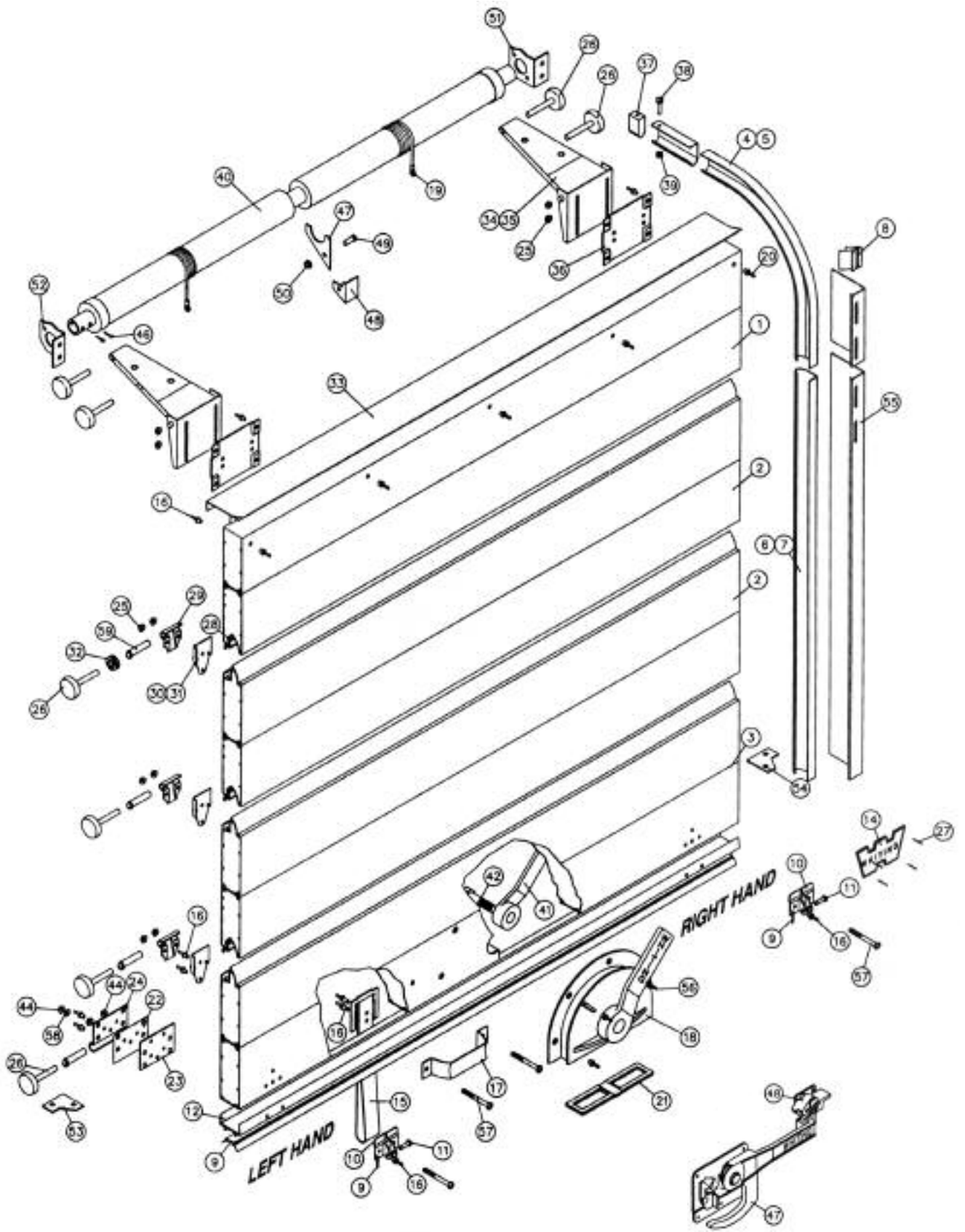
Item No	Description
1,2,3	Top, Intermediate & Bottom Panels, Vary According To Door Number
4	Horiz.Track 254mm (10") Radius O/S
5	Horiz.Track 254mm (10") Radius N/S
6	Vert.Track O/S
7	Vert.Track N/S
8	Side Seal 2743mm
9	Cotter Pin 3 x 19
10	'U' Bolt - Cable Anchor
11	Clevis Pin
12	Bottom Seal Retainer (Extruded PVC)
13	Bottom Seal Dual Durometer
14	
15	Pull Strap Std. Length 15"
16	Rivet - Blind Hole - Pull Type
17	Grab Handle - 'E' Coated
18	75-10 Type Lock Assembly 'E' Coated
19	Cable - 3175mm (125")
20	
21	Latch Plate S/S
22	Wear Plate Bottom Roller
23	Bottom Roller Bracket
24	Bottom Roller Clamp Plate
25	M6 Aertight Nut
26	Track Roller (Steel)
27	
28	Seal - Inter Section PVC Grey Tubular
29	Roller Clamp S/S
30	Anti Lozenge Base Near side L/H S/S
31	Anti Lozenge Base Off side R/H S/S
32	Spacer Washer - Roller Shaft
33	Top Seal (Dual Durometer)
34	Top Panel Closure Bracket - O/S S/S
35	Top Panel Closure Bracket - N/S S/S
36	Mounting Bracket - Top Closure Arm S/S
37	Track Stop Bumper
38	Bolt - Track Stop
39	Lock Nut 1/4" Kep
40	Balancer Assy
41	Handle - Inside Release
42	Bolt From Item 41 5/8" x 5 1/2"
43	Self Tapping Screws For Item 13 16mm
44	M8 Nyloc Nut S/S
45	
46	Split Pin 5mm x 38mm
47	Yoke Support Bracket
48	Centre Bracket
49	Bolt 3/8" x 3/4"
50	Whiz Nut 3/8"
51	Mounting Bracket O/S
52	Mounting Bracket N/S
53	B Plan Plate N/S
54	B Plan Plate O/S
55	Mounting Angle
56	Avdel Monobolt Rivet 1/4"
57	M8 x 80 Slotted Pan Head Screw
58	M8 Flat Washer S/S

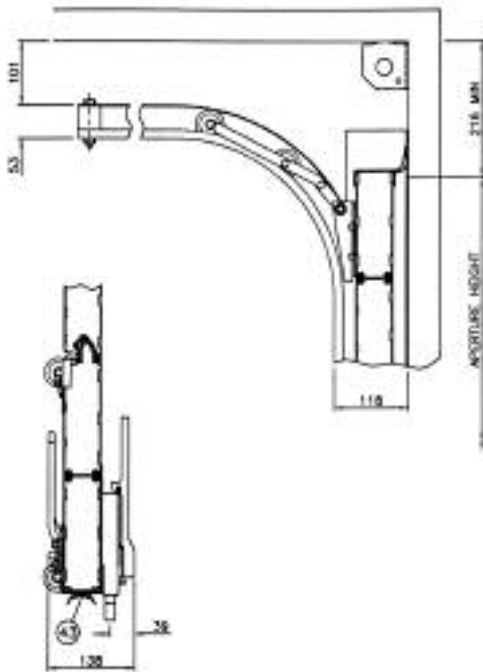




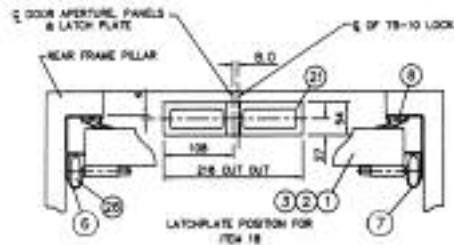
Item No	Description
1,2,3	Top, Intermediate & Bottom Panels, Vary According To Door Number
4	Horiz.Track 254mm (10") Radius O/S
5	Horiz.Track 254mm (10") Radius N/S
6	Vert.Track O/S
7	Vert.Track N/S
8	Side Seal 2743mm
9	Cotter Pin 3 x 19
10	'U' Bolt - Cable Anchor
11	Clevis Pin
12	Bottom Seal Retainer (Extruded PVC)
13	Bottom Seal Dual Durometer
14	Finger Shield
15	Pull Strap Std. Length 15"
16	Rivet - Blind Hole - Pull Type
17	Grab Handle - 'E' Coated
18	75-10 Type Lock Assembly 'E' Coated
19	Cable - 3175mm (125")
20	Rivet 3/16" x 16mm CSK Ali Solid
21	Latch Plate S/S
22	Wear Plate Bottom Roller
23	Bottom Roller Bracket
24	Bottom Roller Clamp Plate
25	M6 Aerotight Nut
26	Track Roller (Steel)
27	
28	Seal - Inter Section PVC Grey Tubular
29	Roller Clamp S/S
30	Anti Lozenge Base R/H S/S
31	Anti Lozenge Base L/H S/S
32	Spacer Washer - Roller Shaft
33	Top Seal (Dual Durometer)
34	Top Panel Closure Bracket - O/S S/S
35	Top Panel Closure Bracket - N/S S/S
36	Mounting Bracket - Top Closure Arm S/S
37	Track Stop Bumper
38	Bolt - Track Stop
39	Lock Nut 1/4" Kep
40	Balancer Assy
41	Handle - Inside Release
42	Bolt From Item 41 5/8" x 5 1/2"
43	Self Tapping Screws For Item 13 16mm
44	M8 Nyloc Nut S/S
45	
46	Split Pin 5/16" 3/4" Split Cotter
47	Yoke Support Bracket
48	Centre Bracket
49	Bolt 3/8" x 3/4"
50	Whiz Nut 3/8"
51	Mounting Bracket O/S
52	Mounting Bracket N/S
53	B Plan Plate N/S
54	B Plan Plate O/S
55	Mounting Angle
56	Avdel Monobolt Rivet 1/4"
57	M8 x 80 Slotted Pan Head Screw
58	M8 Flat Washer S/S
59	Screw No. 8 x 1/2" Self Tap

Whiting Coldsaver



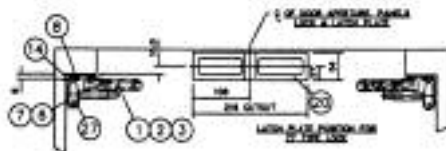


SECTION THROUGH SHUTTER



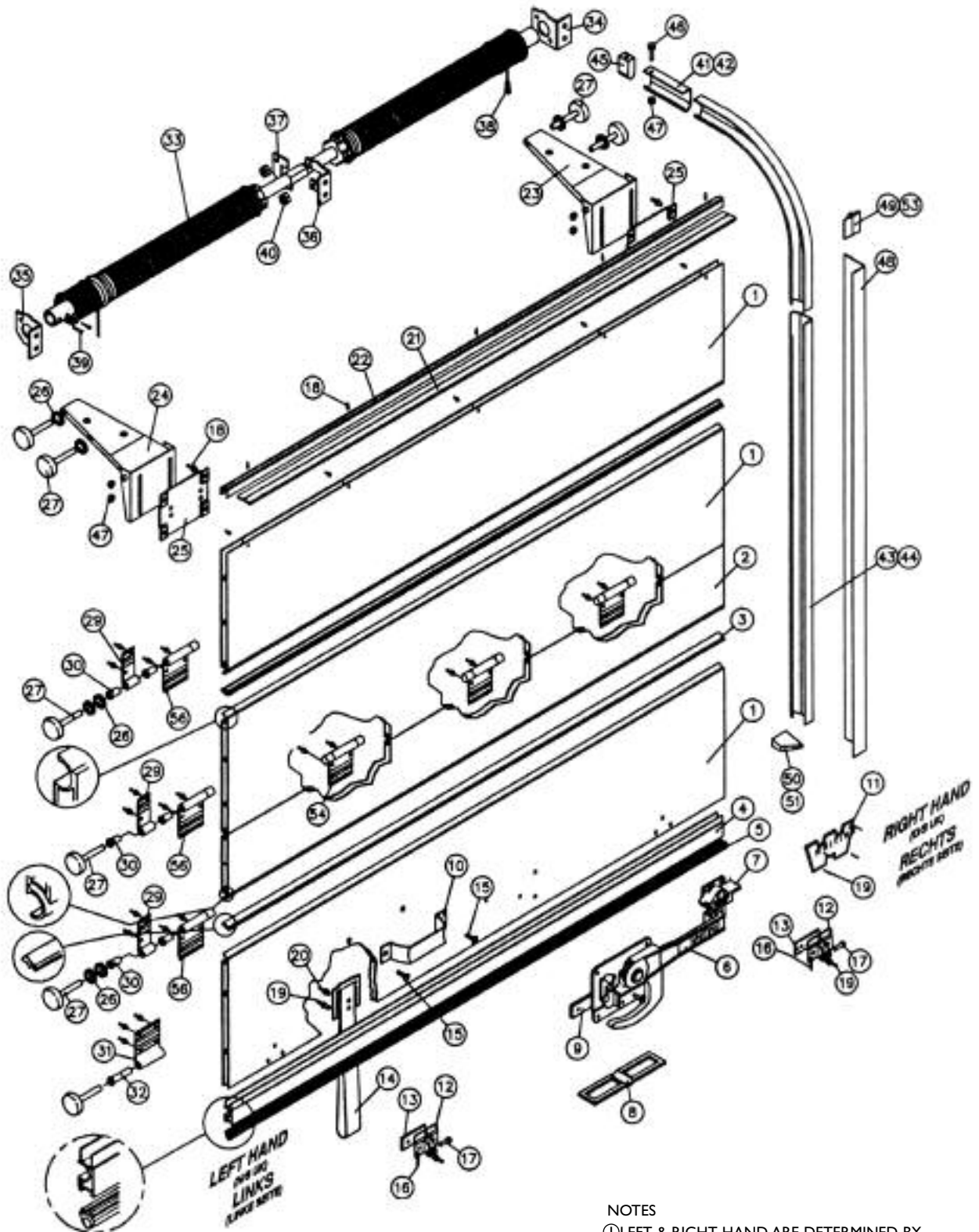
RIGHT HAND

LEFT HAND



Item No	Description
1,2,3	Top, Intermediate & Bottom Panels, Vary According To Door Number
4	Horiz.Track 254mm (10") Radius O/S
5	Horiz.Track 254mm (10") Radius N/S
6	Vert.Track O/S
7	Vert.Track N/S
8	Side Seal 2743mm
9	Cotter Pin 3 x 19
10	'U' Bolt - Cable Anchor
11	Clevis Pin
12	Bottom Panel Capping
13	Bottom Seal Dual Durometer
14	
15	Pull Strap Std. Length 15"
16	Rivet - Blind Hole - Pull Type
17	Grab Handle - 'E' Coated
18	75-10 Type Lock Assembly 'E' Coated
19	Cable - 3175mm (125")
20	Rivet 3/16" x 16mm CSK Ali Solid
21	Latch Plate S/S
22	Wear Plate Bottom Roller
23	Bottom Roller Bracket
24	Bottom Roller Clamp Plate
25	M6 Aerotight Nut
26	Track Roller (Steel)
27	
28	Seal - Inter Section PVC Grey Tubular
29	Roller Clamp
30	Anti Lozenge Base R/H S/S
31	Anti Lozenge Base L/H S/S
32	Spacer Washer - Roller Shaft
33	Top Capping Seal
34	Top Panel Closure Bracket - R/H S/S
35	Top Panel Closure Bracket - L/HS/S
36	Mounting Bracket - Top Closure Arm S/S
37	Track Stop Bumper
38	Bolt - Track Stop
39	Lock Nut 1/4" Kep
40	Balancer Assy
41	Handle - Inside Release
42	Bolt From Item 41 16mm x 152mm (5/8" x 6")
43	Self Tapping Screws For Item 13
44	M8 Nyloc Nut S/S
45	
46	Split Pin 5/16" 3/4" Split Cotter
47	Yoke Support Bracket
48	Centre Bracket
49	Bolt 3/8" x 3/4"
50	Whiz Nut 3/8"
51	Mounting Bracket R/H
52	Mounting Bracket L/H
53	B Plan Plate L/H
54	B Plan Plate R/H
55	Mounting Angle
56	Avdel Monobolt Rivet 1/4"
57	M8 x 80 Slotted Pan Head Screw
58	M8 Flat Washer S/S
59	Roller Sleeve

Whiting Continental II

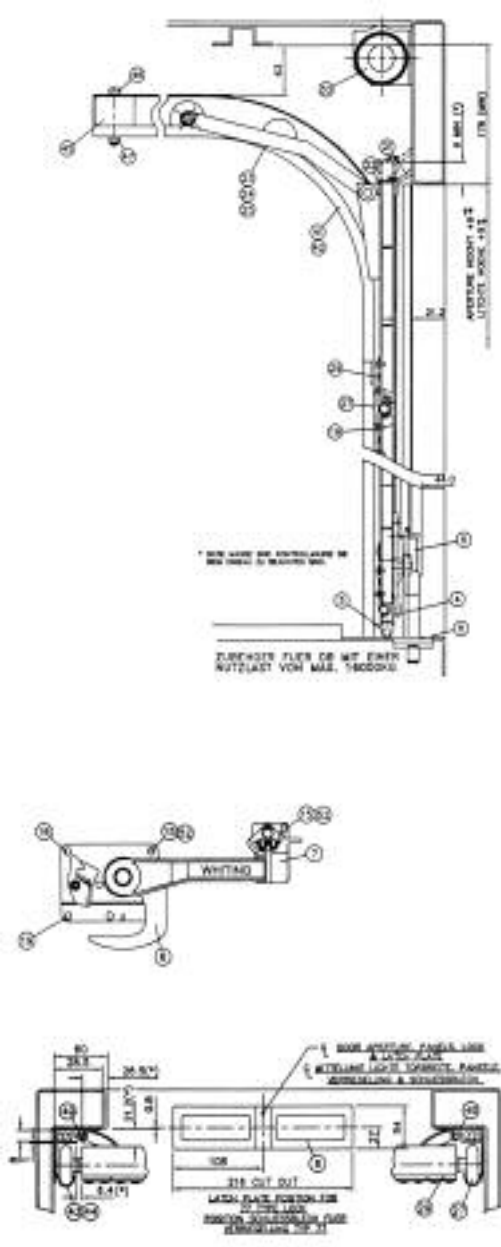


NOTES

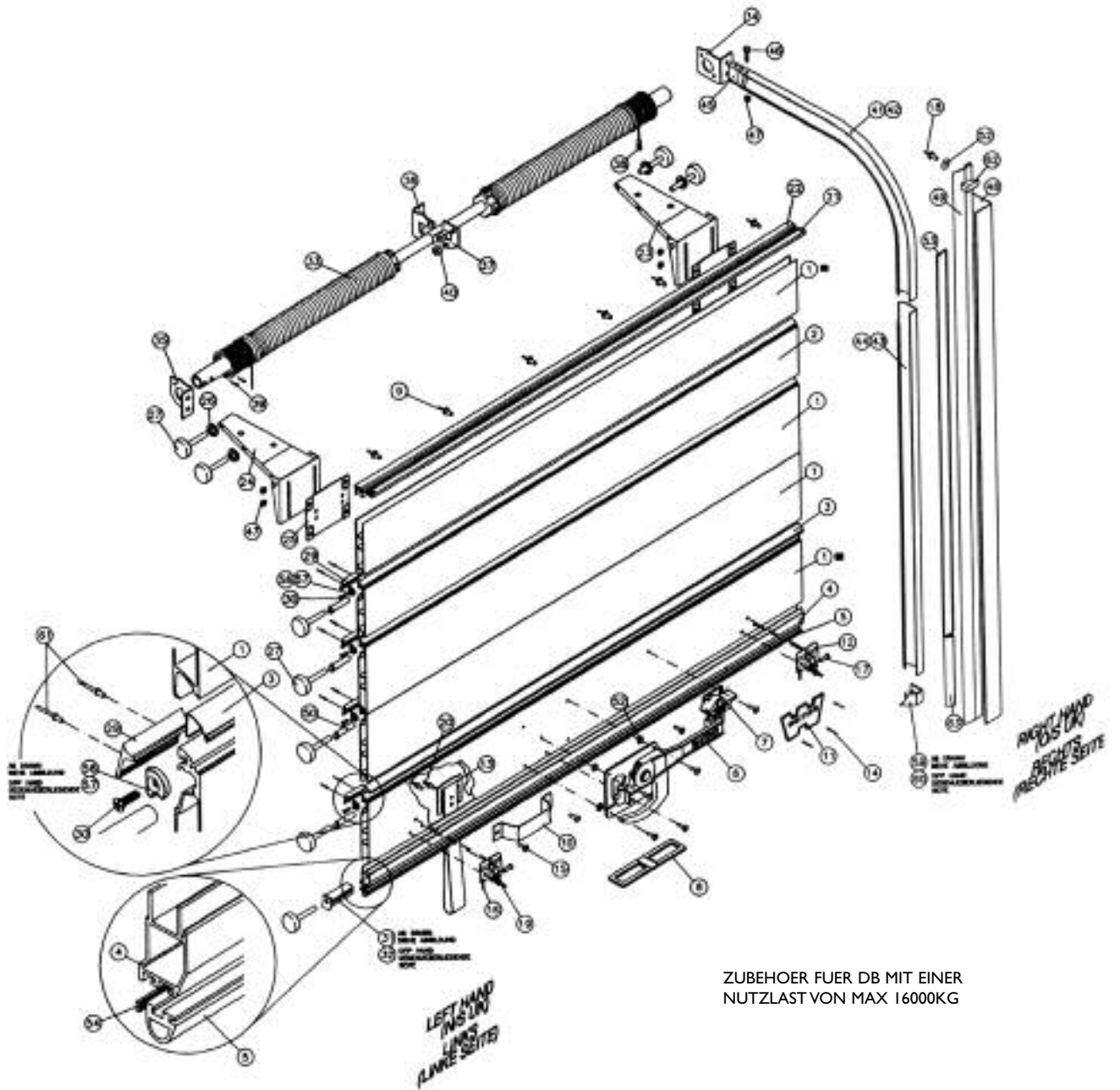
① LEFT & RIGHT HAND ARE DETERMINED BY STANDING OUTSIDE LOOKING AT THE SHUTTER

HINWEIS

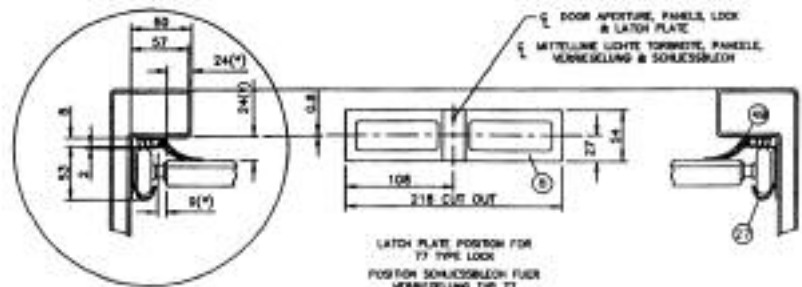
① LINKS/LINKE SEITE UND RECHTS/RECHTE SEITE IST DIE SICHTWEISE VON DRAUSSEN HINTER DEM ROLLTOR STEHEND

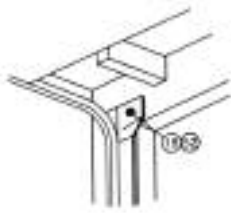


Item No	Description
1,2	Top, Intermediate & Bottom Panels, Vary According To Door Number
3	Panel Interseal
4	Seal & Roller Carrier
5	Bottom 'D' Seal
6	77 Lock Assembly 'E' Coated
7	Lock Handle Keeper 'E' Coated
8	Latch Plate
9	Lock Spacer
10	Grab Handle 'E' Coated
11	Nameplate
12	Cable Anchor
13	Cable Anchor Spacer
14	Pull Strap 19" & 'E' Coated Buckle
15	Rivet - Semi Tubular 1/4" x 1 3/32"
16	Cotter Pin 1/8" x 3/8"
17	Clevis Pin 5/16" x 1"
18	Rivet 6.4mm x 13mm Domed Head
19	6.4mm x 21mm Hemlock Rivet
20	Hemlock Rivet 6.4mm x 15mm
21	Top Seal Brush (5/32" x 1 1/2")
22	Top Seal Carrier
23	Top Closure Arm R/H 'E' Coated
24	Top Closure Arm L/H 'E' Coated
25	Top Closure Arm Mtg Brkt 'E' Coated
26	Spacer Washer - Roller Shaft
27	Track Roller (Steel)
28	
29	Roller Holder Hinge 34mm
30	Noise Reduction Bush 27mm
31	Roller Holder Hinge 70mm
32	Noise Reduction Bush 53mm
33	Balancer Assembly
34	Balancer Mounting Bracket O/S
35	Balancer Mounting Bracket N/S
36	Balancer Mounting Bracket Centre
37	Balancer Mounting Bracket Torque
38	Cable 3175mm (125")
39	Split Pin 5mm x 38mm
40	Whiz Nut 5/16"
41	Horiz.Track 254mm (10") Radius O/S
42	Horiz.Track 254mm (10") Radius N/S
43	Vert Track O/S
44	Vert.Track N/S
45	Track Stop Bumper
46	Cap Screw 1/4" x 2 1/2"
47	Keyp Nut 1/4"
48	Mounting Angle 57mm x 63mm
49	Side Seal
50	Bottom Seal Block R/H
51	Bottom Seal Block L/H
52	Penny Washer
53	Brush Seal
54	Centre Axle Hinge Assembly
55	
56	End Axle Hinge Assembly L/H
57	End Axle Hinge Assembly R/H (not shown)



ZUBEHOER FUER DB MIT EINER
NUTZLAST VON MAX 16000KG





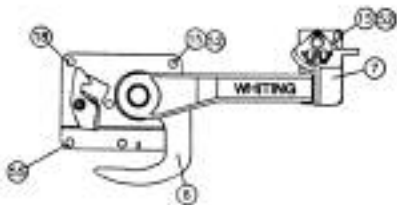
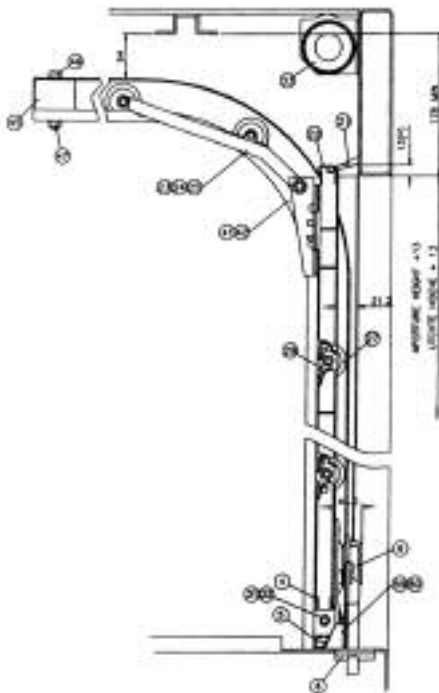
VIEW SHOWING SIDE SEAL ATTACHED TO REAR OF HEADER
ANSICHT MONTIERTE SEITENDICHTUNG AUF INNSEITE STURZ

NOTES

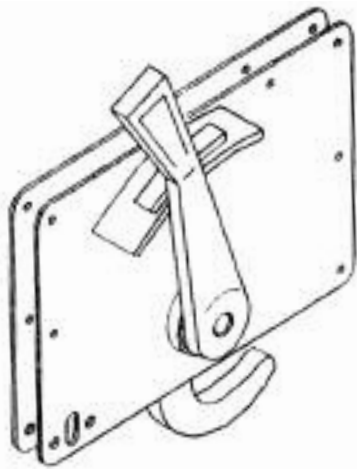
- ① LEFT & RIGHT HAND ARE DETERMINED BY STANDING OUTSIDE LOOKING AT THE SHUTTER
- ② NEOPRENE SIDE SEAL ITEM 63 TO BE CUT TO 200MM LONG
- ③ ITEM MARKED ■ ARE HEIGHT VARIABLE TO ACHIEVE APERTURE HEIGHT

HINWEIS

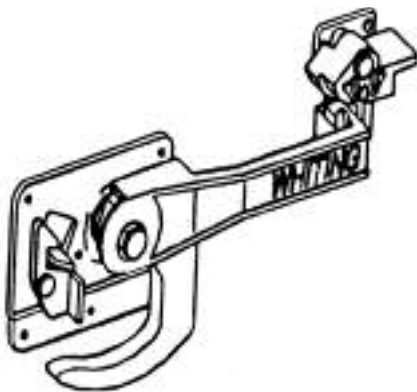
- ① LINKS/LINKE SEITE UND RECHTS/RECHTE SEITE IST DIE SICHTWEISE VON DRAUSSEN HINTER DEM ROLLTOR STEHEND
- ② NEOPREN SEITENDICHTUNG POS 63 AUF 200MM ZU KUERZEN
- ③ DIE ABMESSUNGEN DER ■ MARKIERTEN POSITIONEN VARIIEREN ENTSPRECHEND DER LICHTEN HOEHE



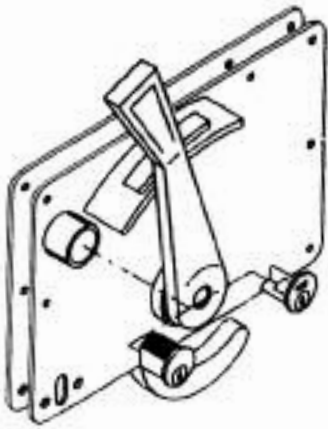
Item No	Description
1,2	Top, Intermediate & Bottom Panels, Vary According To Door Number
3	Panel Interseal
4	Seal & Roller Carrier
5	Bottom 'D' Seal
6	77 Lock Assembly 'E' Coated
7	Lock Handle Keeper 'E' Coated
8	Latch Plate
9	Rivet Domed Head 4.8mm
10	Grab Handle 'E' Coated
11	Nameplate
12	Cable Anchor
13	Pull Strap 19" & 'E' Coated Buckle
14	Rivet 3.2mm x 10mm Domed Head
15	Rivet - Semi Tubular 1/4" x 1 13/32"
16	Cotter Pin 1/8" x 3/4"
17	Clevis Pin 5/16" x 1"
18	Rivet 6.4mm x 13mm Domed Head
19	6.4mm x 21mm Hemlock Rivet
20	Hemlock Rivet 6.4mm x 15mm
21	Top Seal Brush (5/32" X 1 1/2")
22	Top Seal Carrier
23	Top Closure Arm R/H 'E' Coated
24	Top Closure Arm L/H 'E' Coated
25	Top Closure Arm Mtg Brkt 'E' Coated
26	Spacer Washer - Roller Shaft
27	Track Roller (Steel)
28	
29	Roller Holder Hinge 34mm
30	Thread Cutting Machine Screws
31	Bottom Roller Holder L/H
32	Bottom Roller Holder R/H
33	Balancer Assembly
34	Balancer Mounting Bracket O/S
35	Balancer Mounting Bracket N/S
36	Balancer Mounting Bracket Centre
37	Balancer Mounting Bracket Torque
38	Cable 3175mm (125")
39	Split Pin 5mm x 38mm
40	Whiz Nut 5/16"
41	Horiz.Track 254mm (10") Radius O/S
42	Horiz.Track 254mm (10") Radius N/S
43	Vert Track O/S
44	Vert.Track N/S
45	Track Stop Bumper
46	Cap Screw 1/4" x 2 1/2"
47	Kep Nut 1/4"
48	Mounting Angle 57mm x 63mm
49	Side Seal
50	Roller Sleeve
51	
52	Penny Washer
53	Brush Seal
54	Bottom Seal Retaining Plug
55	Rivet Hemlock 6.4mm x 21mm
56	Anti - Lozenge Washer L/H
57	Anti - Lozenge Washer R/H
58	
59	Bottom Corner Seal - L/H
60	Bottom Corner Seal - R/H
61	Rivet 4.8mm x 14.6mm
62	Top Corner Seal
63	Side Seal (Neoprene)



Standard recessed lock
70 type lock for Dry Freight & Excel 2000

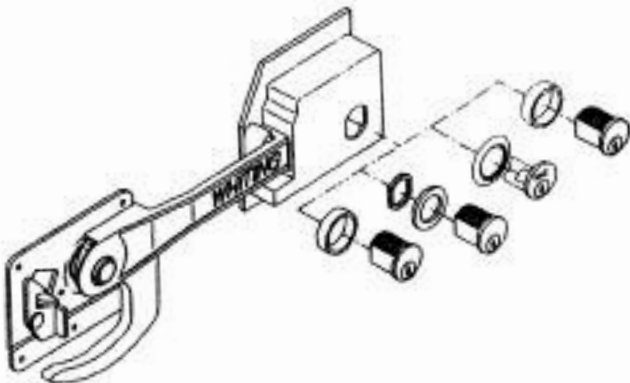


Standard plant-on lock
Dry Freight/Excel/TS/ColdSaver & Continental



Description
Standard Recessed Lock Assembly c/w Back Plate
Lock Repair Kit For Recessed Lock
Recessed Lock c/w Yale Cylinder & Keys
Recessed Lock c/w Best Cylinder, Core & Keys
Plant-on Lock Assembly (Excluding Keeper)
Keeper for plant-on Lock
Plant-on Lockable Keeper only c/w Best Core & 2 Keys
Plant-on Lockable Keeper only c/w Yale Cylinder & 2 Keys
Plant-on Lockable Keeper only c/w Kaba Cylinder & 2 keys
Plant-on Lockable Keeper only c/w Assa Cylinder & 2 keys
Best Keys only
Yale Keys only
Roway Keys only
Assa Keys only
TempSaver Range Half-Moon Lock - Surface Mounted
Lock Repair Kit For Half-Moon Lock

70 type lock for Dry Freight & Excel 2000
 Lock cylinders available: Yale & Best



77 type lock with lockable keeper
 for Dry Freight & Excel 2000
 TempSaver range & Continental II & III
 Lock cylinders available: Yale, Best, Assa & Abloy

KABA



BEST



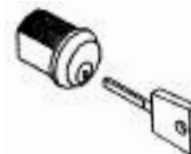
ASSA

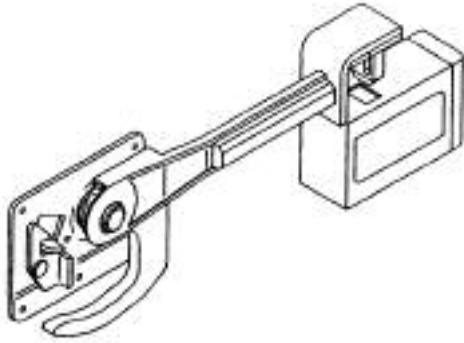


YALE

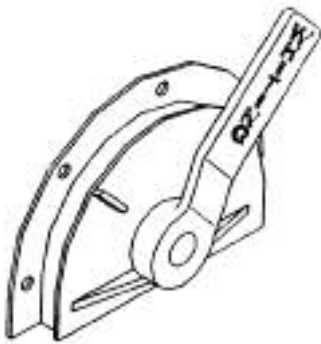


ABLOY





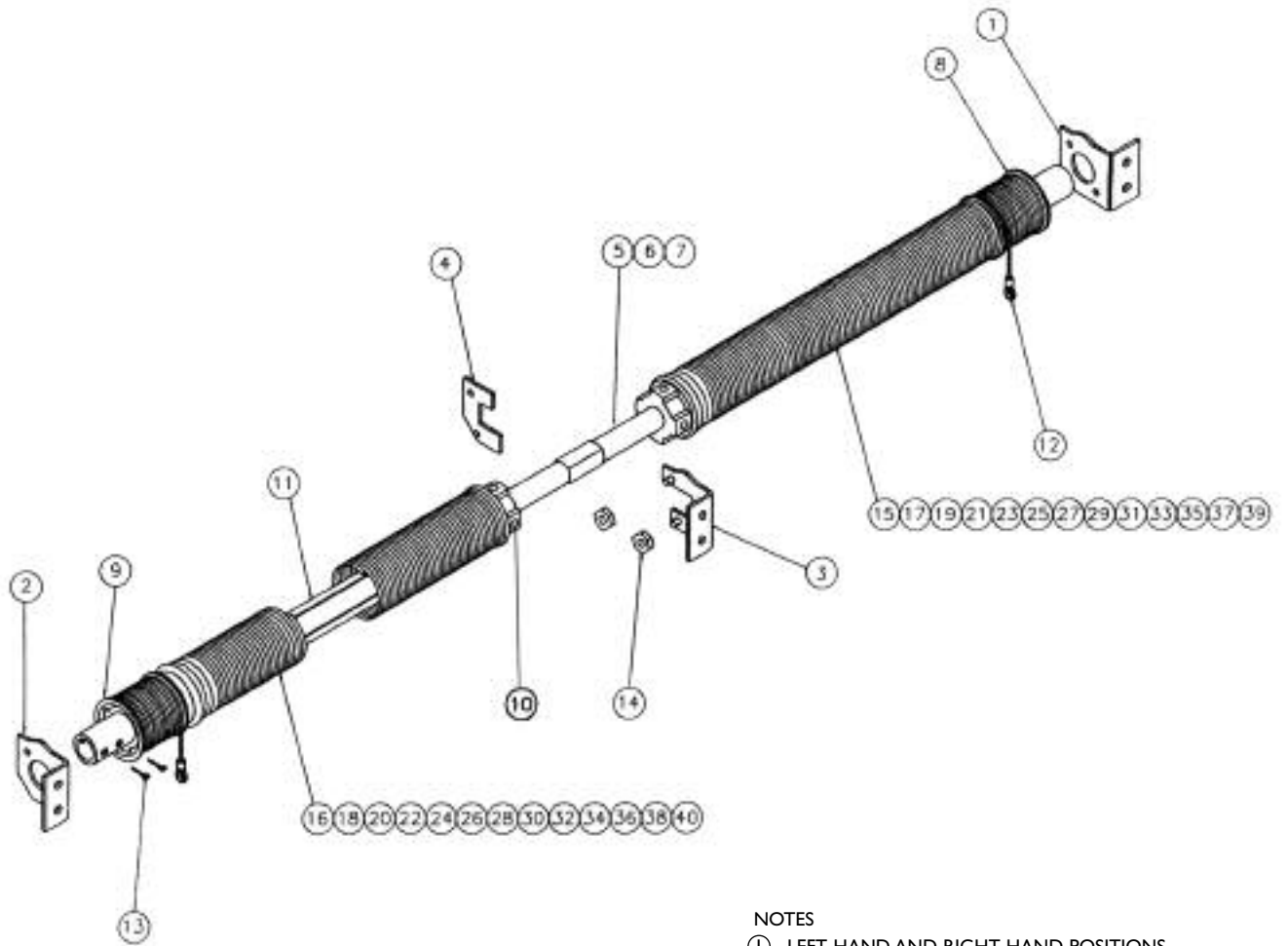
77 type lock with Roway or Cargo Lockbox & Kaba cylinder for Dry Freight, Excel 2000, TempSaver range & Continental III



75-10 type lock for TempSaver range

Description
Standard Recessed Lock Assembly c/w Back Plate
Lock Repair Kit for Recessed Lock
Recessed Lock c/w Yale Cylinder & Keys
Recessed Lock c/w Best Cylinder, Core & Keys
Plant-on Lock Assembly (excluding Keeper)
Keeper for plant-on Lock
Plant-on Lockable Keeper only c/w Best Core & 2 Keys
Plant-on Lockable Keeper only c/w Yale Cylinder & 2 Keys
Plant-on Lockable Keeper only c/w Kaba Cylinder & 2 keys
Plant-on Lockable Keeper only c/w Assa Cylinder & 2 keys
Best Keys only
Yale Keys only
Roway Keys only
Assa Keys only
TempSaver Range Half-Moon Lock
Surface mounted Lock Repair Kit for Half-Moon Lock

Whiting 2376 Open Balancer

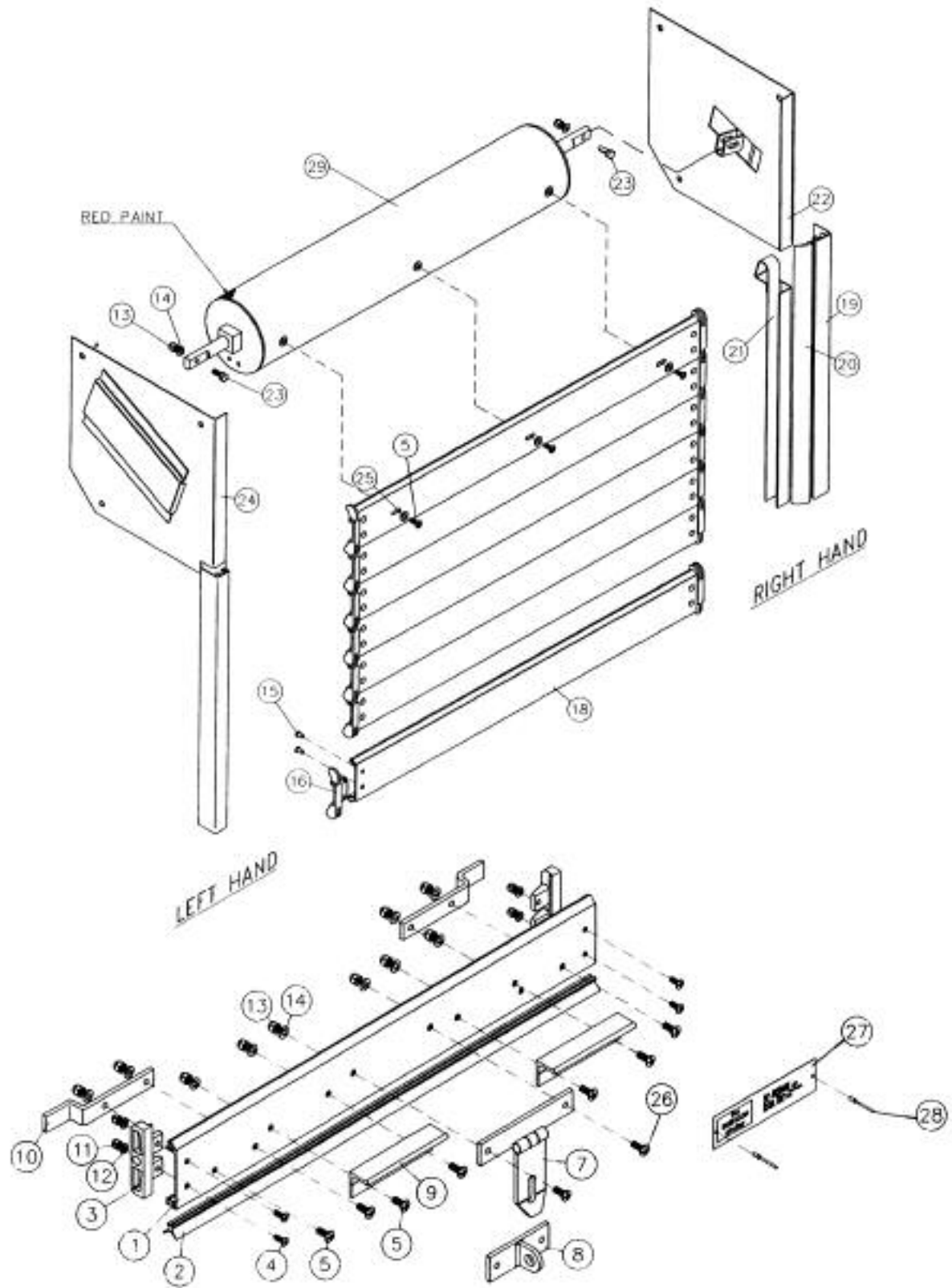


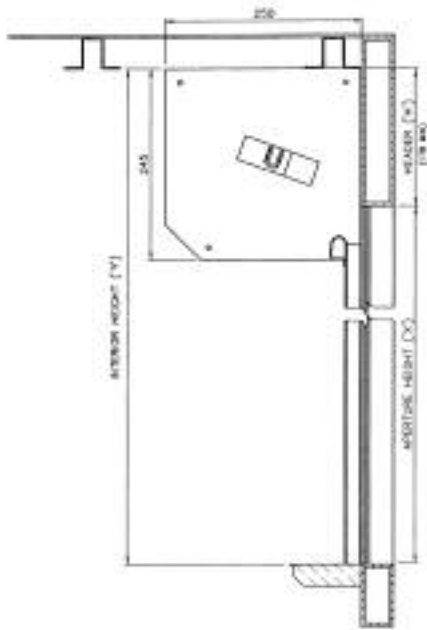
NOTES

- ① LEFT HAND AND RIGHT HAND POSITIONS ARE VIEWED FROM OUTSIDE THE VEHICLE LOOKING IN

Item No	Description
1	Balancer Bracket R/H
2	Balancer Bracket L/H
3	Balancer Bracket Centre
4	Balancer Bracket Torque
5	Balancer Shaft 47"
6	Balancer Shaft 80"
7	Balancer Shaft 87"
8	Cable Drum R/H
9	Cable Drum L/H
10	Winding Cone
11	Spacer
12	Cable
13	5mm x 38mm Split Pin
14	M8 Whiz Nut
15	Spring 0.135 x 12 1/2" Assy O/S (R/H)
16	Spring 0.135 x 12 1/2" Assy N/S (L/H)
17	Spring 0.187 x 29" Assy O/S (R/H)
18	Spring 0.187 x 29" Assy N/S (L/H)
19	Spring 0.187 x 32" Assy O/S (R/H)
20	Spring 0.187 x 32" Assy N/S (L/H)
21	Spring 0.156 x 19 1/2" Assy O/S (R/H)
22	Spring 0.156 x 19 1/2" Assy N/S (L/H)
23	Spring 0.192 x 19 1/2" Assy O/S (R/H)
24	Spring 0.192 x 19 1/2" Assy N/S (L/H)
25	Spring 0.192 x 25" Assy O/S (R/H)
26	Spring 0.192 x 25" Assy N/S (L/H)
27	Spring 0.171 x 25" Assy O/S (R/H)
28	Spring 0.171 x 25" Assy N/S (L/H)
29	Spring 0.206 x 29" Assy O/S (R/H)
30	Spring 0.206 x 29" Assy N/S (L/H)
31	Spring 0.206 x 32" Assy O/S (R/H)
32	Spring 0.206 x 32" Assy N/S (L/H)
33	Spring 0.218 x 36" Assy O/S (R/H)
34	Spring 0.218 x 36" Assy N/S (L/H)
35	Spring 0.125 x 12" Assy O/S (R/H)
36	Spring 0.125 x 12" Assy N/S (L/H)
37	Spring 0.177 x 27" Assy O/S (R/H)
38	Spring 0.177 x 27" Assy N/S (L/H)
39	Spring 0.182 x 29" Assy O/S (R/H)
40	Spring 0.182 x 29" Assy N/S (L/H)
NB: Complete balancers are available from stock - please prefix the last 5 digits of the Spring assy pt.no. with 3012376	

Robinson Roll Type 57mm c/w Hasp & Staple

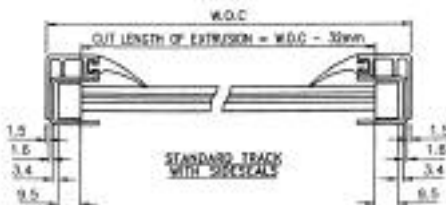
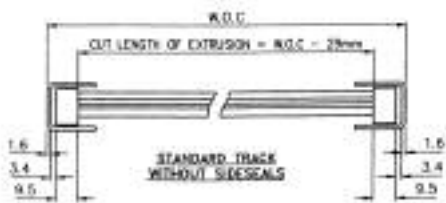




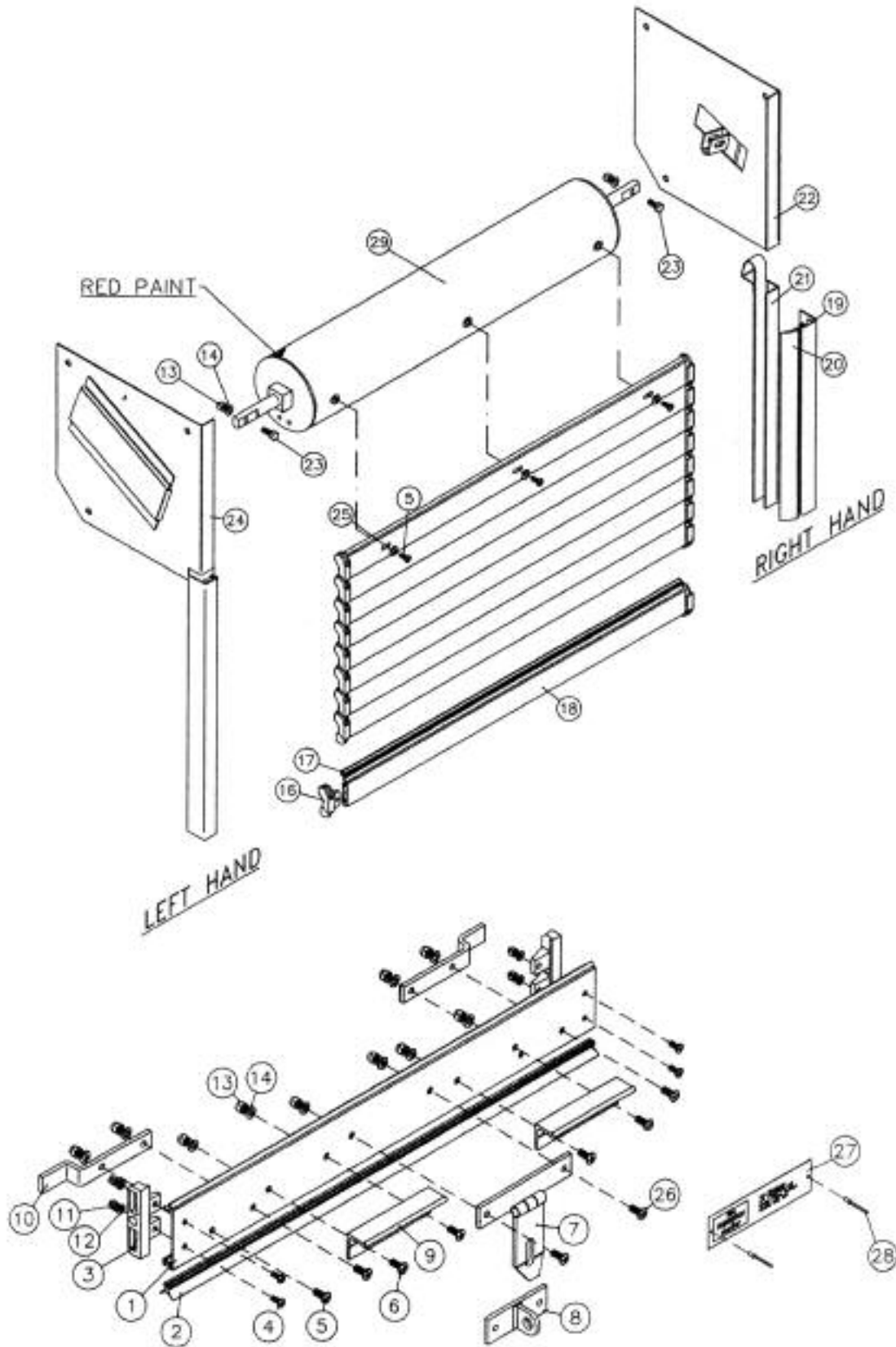
Item No	Description
1	57 Series Bottom Rail (Mill Finish) 57 Series Bottom Rail (Anodised)
2	Bottom Seal (Neoprene) 2.8M
3	Bottom Blocks (Nylon)
4	M5 x 16 Mush Head Bolt
5	M6 x 16 Mush Head Bolt
6	
7	Hasp Assembly
8	Staple Assembly
9	Finger Pull (Aluminium)
10	Stop Bracket (Galvanised)
11	M5 Aertight Locking Nut
12	M5 Washer
13	M6 Aertight Locking Nut
14	M6 Washer S/S
15	Rivet 3/16" x 1/4" Oval
16	57 Series End Shoe (Nylon)
17	
18	57 Series Slat (Mill Finish) 57 Series Slat (Anodised)
19	Side Seal Carrier (Mill Finish) Side Seal Carrier (Anodised)
20	Side Seal
21	Shutter Guide Channel (Galvanised)
22	O/S Pennant Plate (Galvanised)
23	M6 x 25 Hex Head Bolt
24	N/S Pennant Plate (Galvanised)
25	M6 Crinkle Washers
26	M6 x 25 Mush Head Bolt
27	Nameplate
28	1/8" Avex Rivet
29	Balancer Assembly

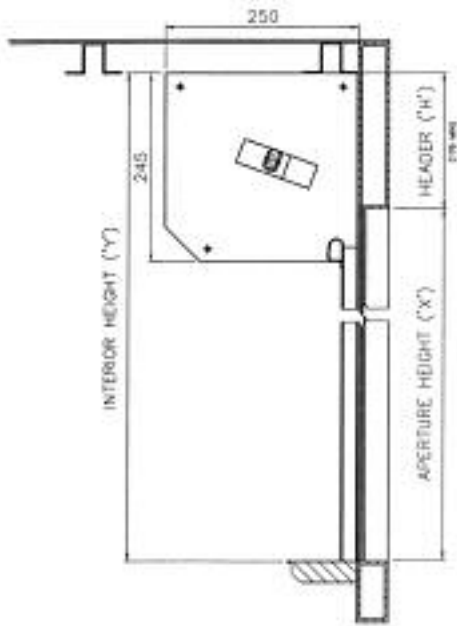
NOTES

- ① LEFT & RIGHT HAND ARE DETERMINED BY STANDING OUTSIDE LOOKING AT THE SHUTTER
- ② FOR LOCK OPTIONS SEE DWG R498
- ③ FOR BALANCER ASSEMBLY SEE DWG R823



Robinson Roll Type 34mm c/w Hasp & Staple

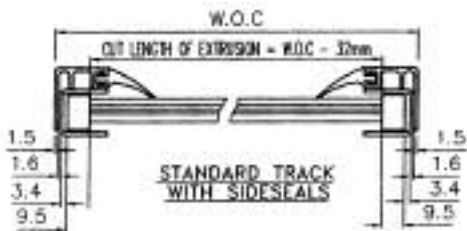
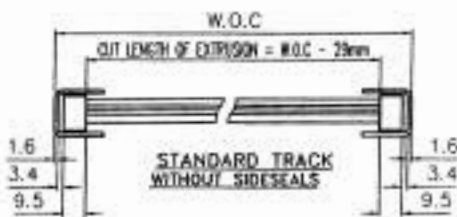




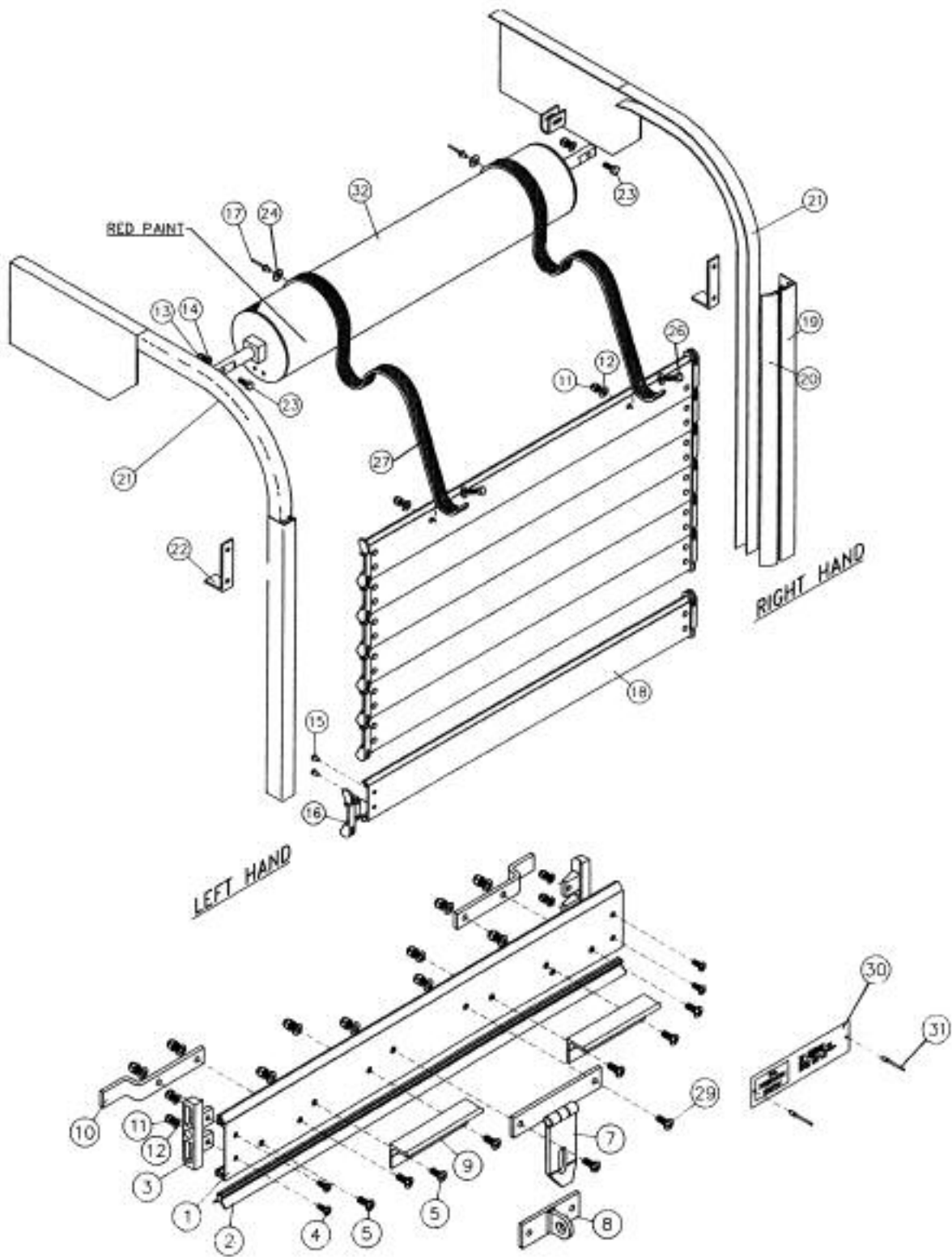
Item No	Description
1	34 Series Bottom Rail (Mill Finish) 34 Series Bottom Rail (Anodised)
2	Bottom Seal (Neoprene) 2.8M
3	Bottom Blocks (Nylon)
4	M5 x 16 Mush Head Bolt
5	M6 x 16 Mush Head Bolt
6	
7	Hasp Assembly
8	Staple Assembly
9	Finger Pull (Aluminium)
10	Stop Bracket (Galvanised)
11	M5 Aerotight Locking Nut
12	M5 Washer
13	M6 Aerotight Locking Nut
14	M6 Washer S/S
15	Rivet 3/16" x 1/4" Oval
16	34 Series End Shoe (Nylon)
17	34 Series Slat Interseal
18	34 Series Slat (Mill Finish) 34 Series Slat (Anodised)
19	Side Seal Carrier (Mill Finish) Side Seal Carrier (Anodised)
20	Side Seal
21	Shutter Guide Channel (Galvanised)
22	O/S Pennant Plate (Galvanised)
23	M6 x 25 Hex Head Bolt
24	N/S Pennant Plate (Galvanised)
25	M6 Crinkle Washers
26	M6 x 25 Mush Head Bolt
27	Nameplate
28	1/8" Avex Rivet
29	Balancer Assembly

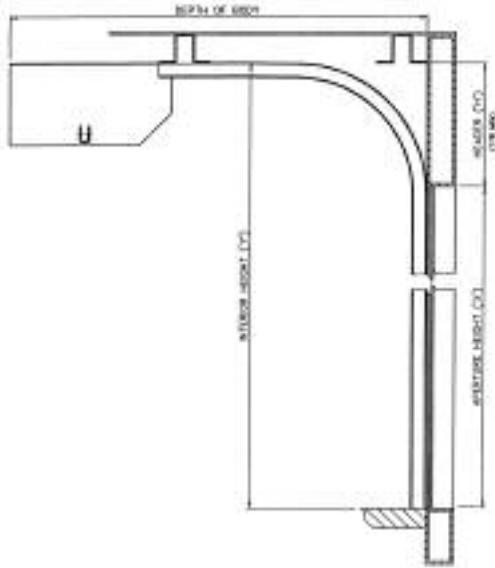
NOTES

- ① LEFT & RIGHT HAND ARE DETERMINED BY STANDING OUTSIDE LOOKING AT THE SHUTTER
- ② FOR LOCK OPTIONS SEE DWG R498
- ③ FOR BALANCER ASSEMBLY SEE DWG R823



Robinson Roof Roll Type 57mm c/w Hasp & Staple

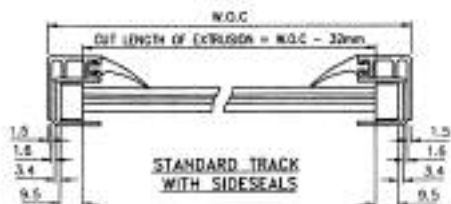
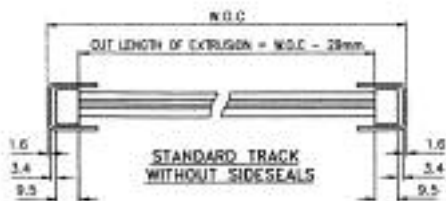




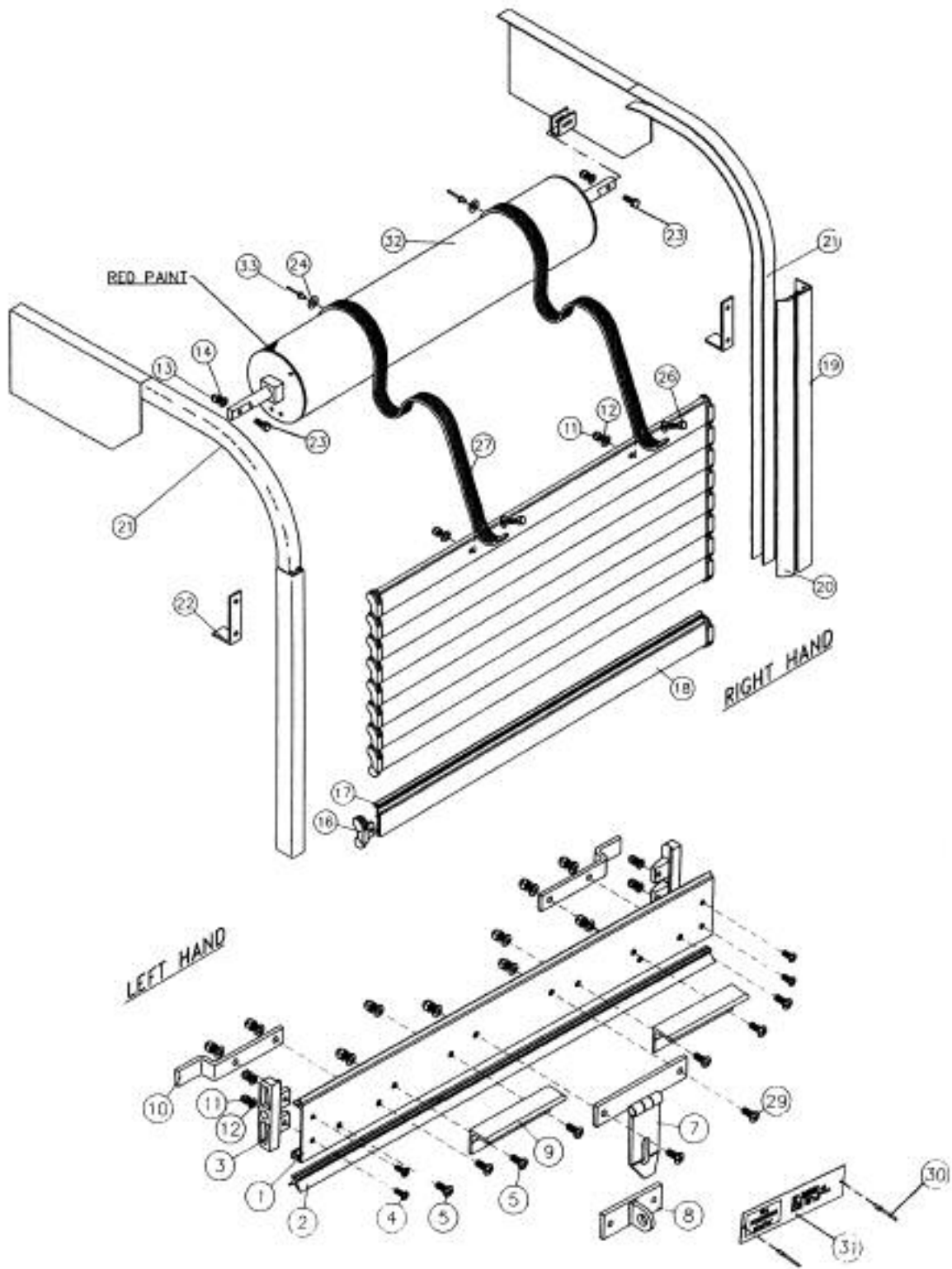
Item No	Description
1	57 Series Bottom Rail (Mill Finish) 57 Series Bottom Rail (Anodised)
2	Bottom Seal (Neoprene) 2.8M
3	Bottom Blocks (Nylon)
4	M5 x 16 Mush Head Bolt
5	M6 x 16 Mush Head Bolt
6	
7	Hasp Assembly
8	Staple Assembly
9	Finger Pull (Aluminium)
10	Stop Bracket (Galvanised)
11	M5 Aerotight Locking Nut
12	M5 Washer
13	M6 Aerotight Locking Nut
14	M6 Washer S/S
15	Rivet 3/16" x 1/4" Oval
16	57 Series End Shoe (Nylon)
17	3/16" x 5/8" Dome Head Pop Rivet
18	57 Series Slat (Mill Finish) 57 Series Slat (Anodised)
19	Side Seal Carrier (Mill Finish) Side Seal Carrier (Anodised)
20	Side Seal
21	Shutter Guide Channel (Galvanised)
22	Loose Stop Bracket
23	M6 x 25 Hex Head Bolt
24	Thrust Washer
25	Roof Roll Pennant Plate R/H
26	M5 x 20 Hex Head Bolt
27	25.4mm Nylon Webbing
28	Roof Roll Pennant Plate L/H
29	M6 x 25 Mush Head Bolt
30	Nameplate
31	1/8" Avex Rivet
32	Balancer Assembly

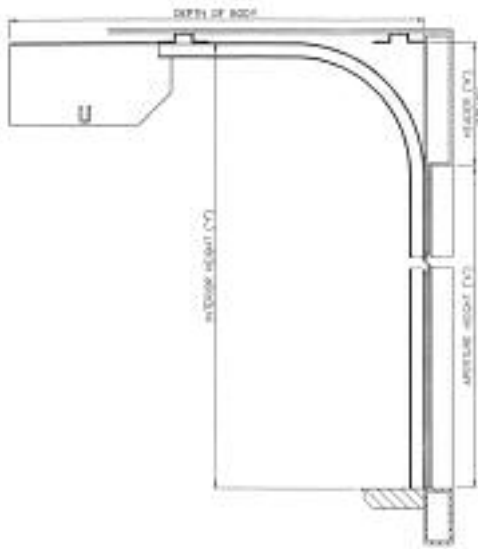
NOTES

- ① LEFT & RIGHT HAND ARE DETERMINED BY STANDING OUTSIDE LOOKING AT THE SHUTTER
- ② FOR LOCK OPTIONS SEE DWG R498
- ③ FOR BALANCER ASSEMBLY SEE DWG R823



Robinson Roof Roll Type 34mm c/w Hasp & Staple

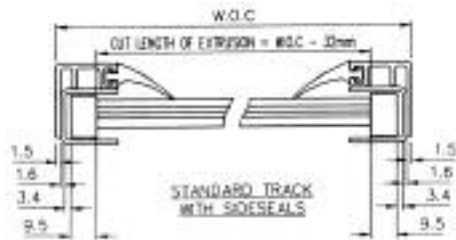
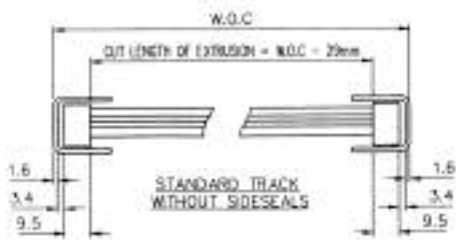




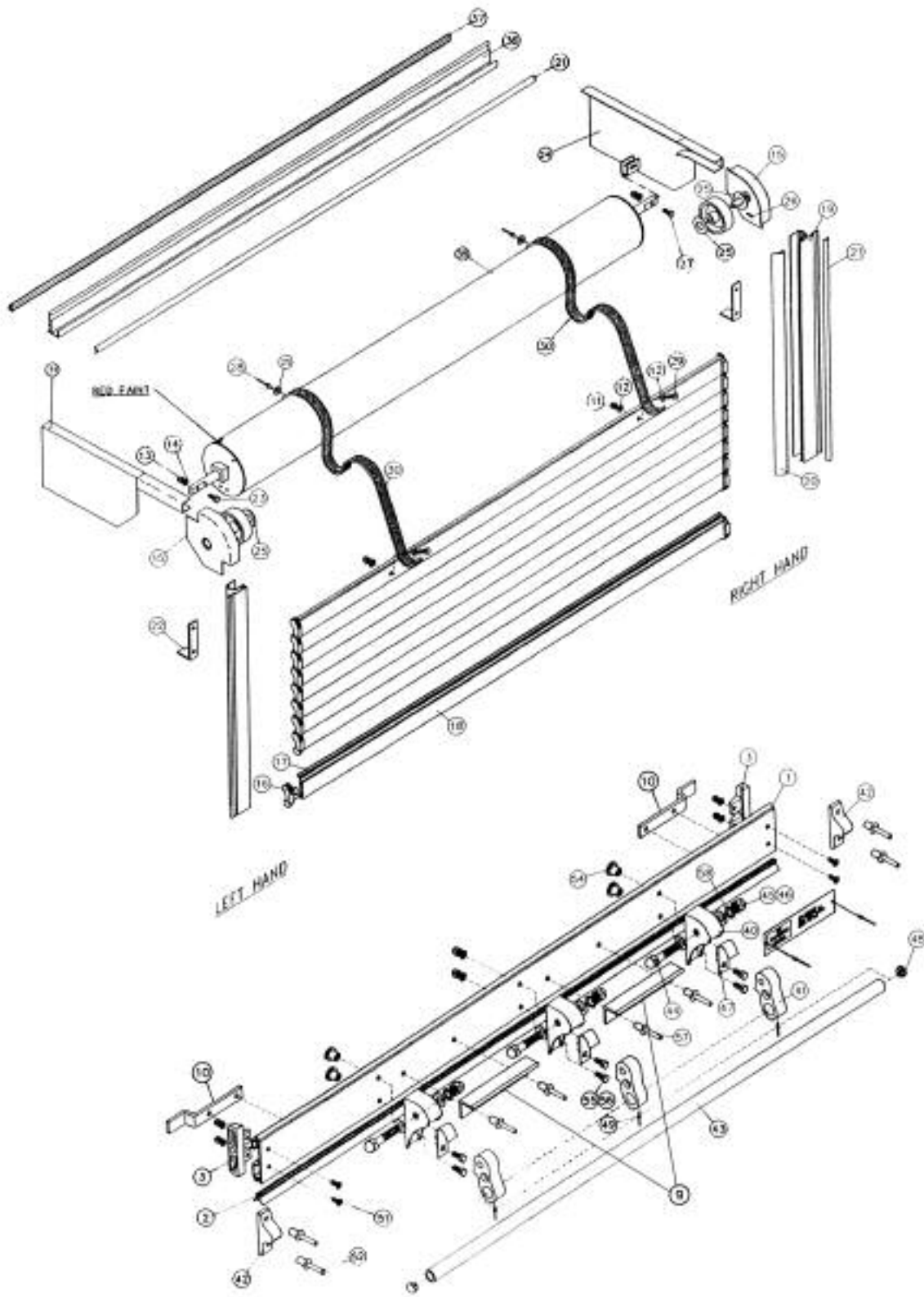
Item No	Description
1	34 Series Bottom Rail (Mill Finish) 34 Series Bottom Rail (Anodised)
2	Bottom Seal (Neoprene) 2.8M
3	Bottom Blocks (Nylon)
4	M5 x 16 Mush Head Bolt
5	M6 x 16 Mush Head Bolt
6	
7	Hasp Assembly
8	Staple Assembly
9	Finger Pull (Aluminium)
10	Stop Bracket (Galvanised)
11	M5 Aerotight Locking Nut
12	M5 Washer
13	M6 Aerotight Locking Nut
14	M6 Washer S/S
15	Rivet 3/16" x 1/4" Oval
16	34 Series End Shoe (Nylon)
17	34 Series Slat Interseal
18	34 Series Slat (Mill Finish) 34 Series Slat (Anodised)
19	Side Seal Carrier (Mill Finish) Side Seal Carrier (Anodised)
20	Side Seal
21	Shutter Guide Channel (Galvanised)
22	Loose Stop Bracket
23	M6 x 25 Hex Head Bolt
24	Thrust Washer
25	Roof Roll Pennant Plate R/H
26	M5 x 20 Hex Head Bolt
27	25.4mm Nylon Webbing
28	Roof Roll Pennant Plate L/H
29	M6 x 25 Mush Head Bolt
30	Nameplate
31	1/8" Avex Rivet
32	Balancer Assembly
33	3/16" x 5/8" Dome Head Pop Rivet

NOTES

- ① LEFT & RIGHT HAND ARE DETERMINED BY STANDING OUTSIDE LOOKING AT THE SHUTTER
- ② FOR LOCK OPTIONS SEE DWG R498
- ③ FOR BALANCER ASSEMBLY SEE DWG R823

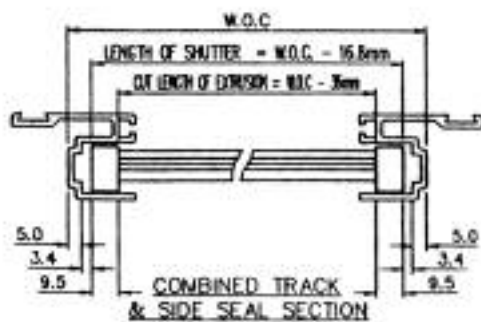


Robinson Roof Roll Type 34mm c/w Lift Bar & Minimum Radius Corners

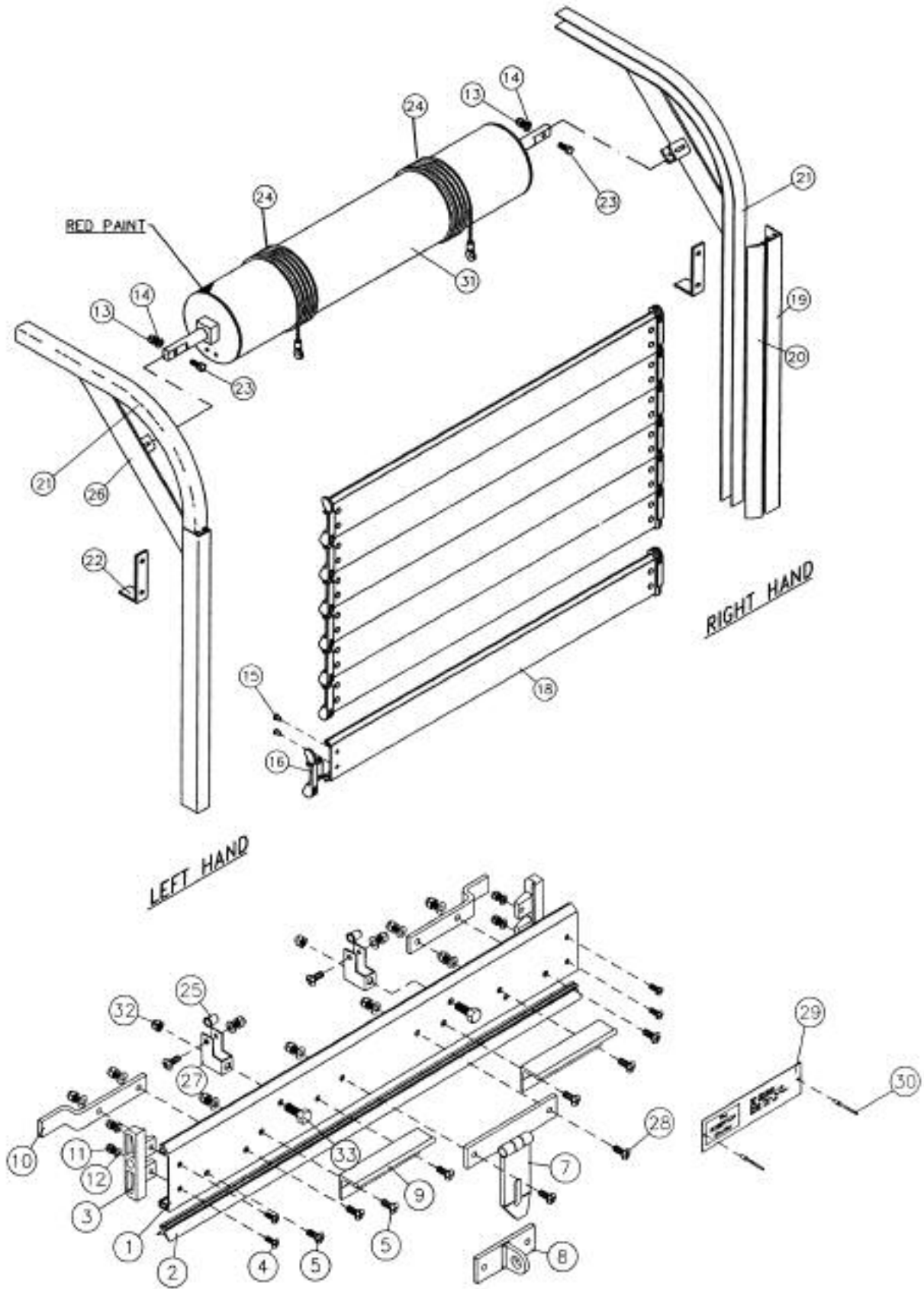


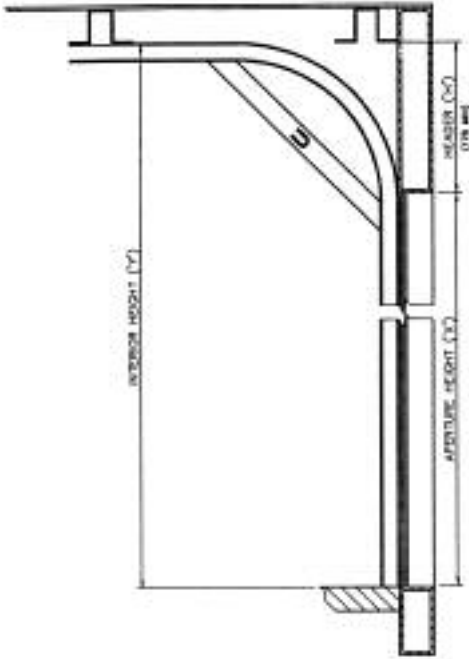
Item No	Description
1	34 Series Heavy Duty Bottom Rail (Mill Finish) 34 Series Heavy Duty Bottom Rail (Anodised)
2	Bottom Seal (Neoprene) 2.8M
3	Bottom Blocks (Nylon)
4	M5 x 16mm Mush Head Bolt
5	M6 x 16mm Mush Head Bolt
6	
7	
8	
9	Finger Pull (Aluminium)
10	Stop Bracket
11	M5 Aerotight Locking Nut
12	M5 Washer
13	M6 Aerotight Locking Nut
14	M6 Washer S/S
15	Min. Corner Helper Wheel Assy
16	34 Series End Shoe (Nylon)
17	34 Series Slat Interseal
18	34 Series Slat (Mill Finish) 34 Series Slat (Anodised)
19	Side Seal Carrier (Mill Finish) Side Seal Carrier (Anodised)
20	Side Seal
21	Herzim Plastic Insert (Red)
22	Loose Stop Bracket
23	M6 x 25mm Hex Head Bolt
24	Roof Roll Pennant Plate R/H
25	Thrust Washer
26	Roll Pin M3 x 12mm
27	Wheel (Helper) Machined Nylon
28	3/16" x 5/8" Dome Head Pop Rivet
29	M5 x 20mm Hex Head Bolt
30	25.4mm Nylon Webbing
31	Roof Roll Pennant Plate L/H
32	M6 x 25mm Mush Head Bolt
33	Nameplate
34	1/8" Avex Rivet
35	Balancer Assembly
36	Gutter Profile FID5
37	Gutter Profile Seal (Grey)

Lift Bar Lock Components	
40	Cam Housing (Cast Aluminium)
41	Pivot Block
42	Retainer Block
43	Lift Bar Tube
44	M10 Dome Head Bolt (Black Nylon)
45	M10 Dome Head Nut (Black Nylon)
46	M10 Stainless Steel Washer
47	Flat Clock Spring
48	1/4" Hole Plug (Black Plastic)
49	4.8mm x 16mm Rivet (S/S)
50	
51	M5 x 16mm Pan HD S/S Slotted Screw
52	3/16" x 5/8" CSK HD Rivet Alum
53	M5 Nutsert
54	M6'T' Nut
55	M6 Berrillium Washer
56	M6 x 16mm Hex HD Bolt S/S
57	4.8mm x 14.6mm Rivet
58	M10 Shakeproof Washer



Robinson Under Roof Type 57mm c/w Hasp & Staple

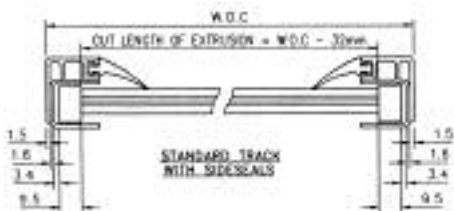
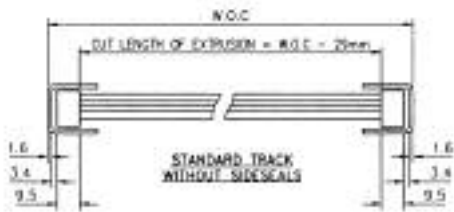




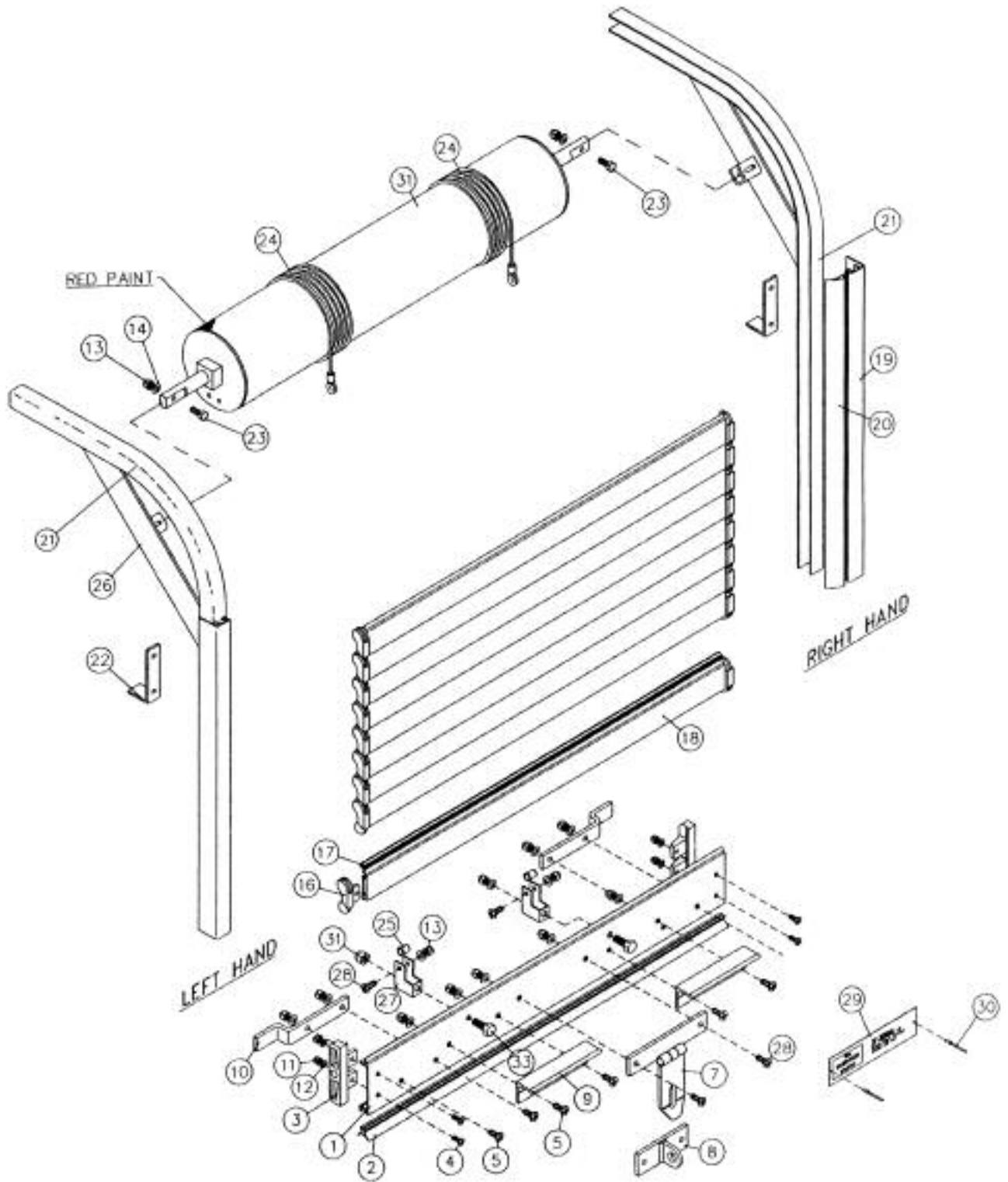
Item No	Description
1	57 Series Bottom Rail (Mill Finish) 57 Series Bottom Rail (Anodised)
2	Bottom Seal (Neoprene) 2.8M
3	Bottom Blocks (Nylon)
4	M5 x 16mm Mush Head Bolt
5	M6 x 16mm Mush Head Bolt
6	
7	Hasp Assembly
8	Staple Assembly
9	Finger Pull (Aluminium)
10	Stop Bracket (Galvanised)
11	M5 Aerotight Locking Nut
12	M5 Washer
13	M6 Aerotight Locking Nut
14	M6 Washer S/S
15	Rivet 3/16" x 1/4" Oval
16	57 Series End Shoe (Nylon)
17	
18	57 Series Slat (Mill Finish) 57 Series Slat (Anodised)
19	Side Seal Carrier (Mill Finish) Side Seal Carrier (Anodised)
20	Side Seal
21	Shutter Guide Channel (Galvanised)
22	Loose Stop Bracket
23	M6 x 25mm Hex Head Bolt
24	Balancer Cable
25	M6 Nutsert
26	Balancer Mounting Bracket
27	Cable Anchor Bracket
28	M6 x 25mm Mush Head Bolt
29	Nameplate
30	1/8" Avex Rivet
31	Balancer Assembly
32	M8 Nyloc Locking Nut
33	M8 x 20mm Hex Head Bolt

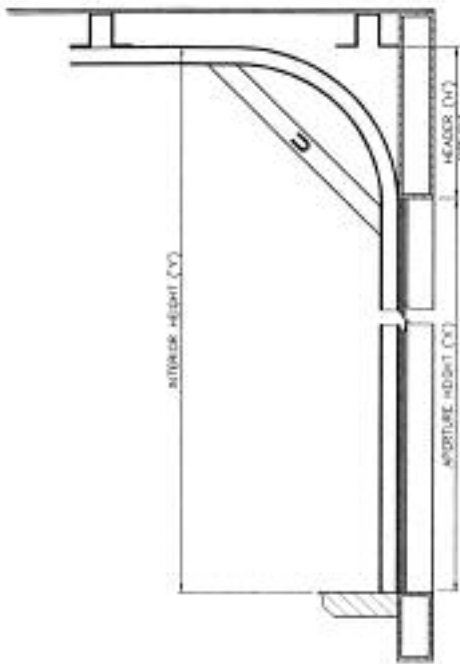
NOTES

- ① LEFT & RIGHT HAND ARE DETERMINED BY STANDING OUTSIDE LOOKING AT THE SHUTTER
- ② FOR LOCK OPTIONS SEE DWG R498
- ③ FOR BALANCER ASSEMBLY SEE DWG R823



Robinson Under Roof Type 34mm c/w Hasp & Staple

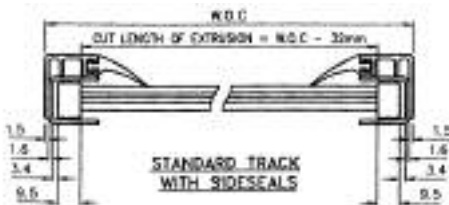
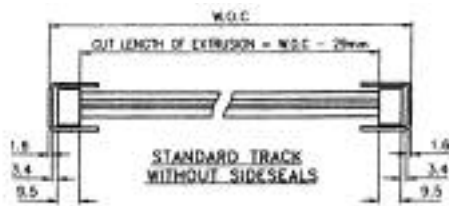




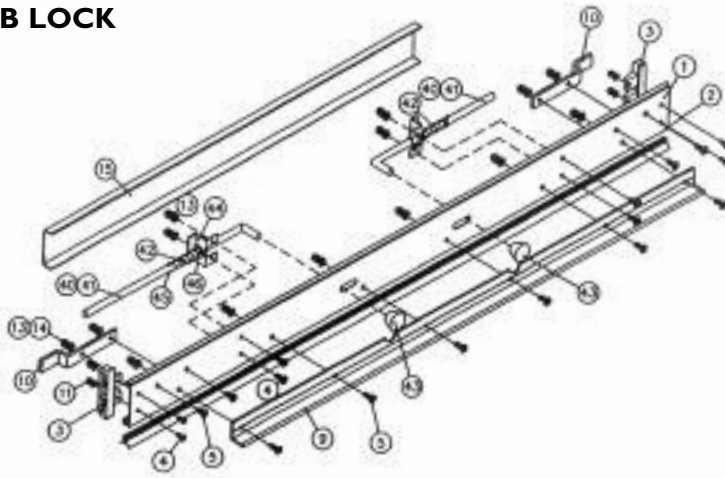
NOTES

- ① LEFT & RIGHT HAND ARE DETERMINED BY STANDING OUTSIDE LOOKING AT THE SHUTTER
- ② FOR LOCK OPTIONS SEE DWG R498
- ③ FOR BALANCER ASSEMBLY SEE DWG R823

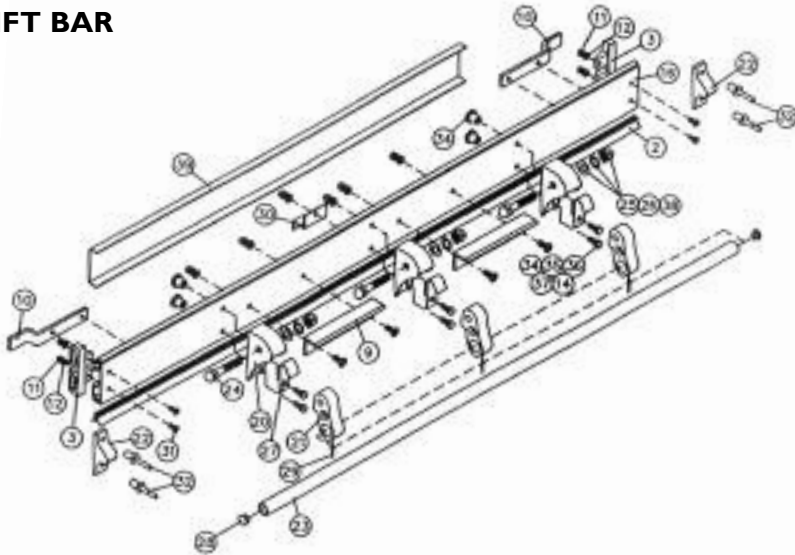
Item No	Description
1	34 Series Bottom Rail (Mill Finish) 34 Series Bottom Rail (Anodised)
2	Bottom Seal (Neoprene) 2.8M
3	Bottom Blocks (Nylon)
4	M5 x 16mm Mush Head Bolt
5	M6 x 16mm Mush Head Bolt
6	
7	Hasp Assembly
8	Staple Assembly
9	Finger Pull (Aluminium)
10	Stop Bracket (Galvanised)
11	M5 Aerotight Locking Nut
12	M5 Washer
13	M6 Aerotight Locking Nut
14	M6 Washer S/S
15	Rivet 3/16" x 1/4" Oval
16	34 Series End Shoe (Nylon)
17	34 Series Slat Interseal
18	34 Series Slat (Mill Finish) 34 Series Slat (Anodised)
19	Side Seal Carrier (Mill Finish) Side Seal Carrier (Anodised)
20	Side Seal
21	Shutter Guide Channel (Galvanised)
22	Loose Stop Bracket
23	M6 x 25mm Hex Head Bolt
24	Balancer Cable
25	M6 Nutsert
26	Balancer Mounting Bracket
27	Cable Anchor Bracket
28	M6 x 25mm Mush Head Bolt
29	Nameplate
30	1/8" Avex Rivet
31	Balancer Assembly
32	M8 Nyloc Locking Nut
33	M8 x 20mm Hex Head Bolt



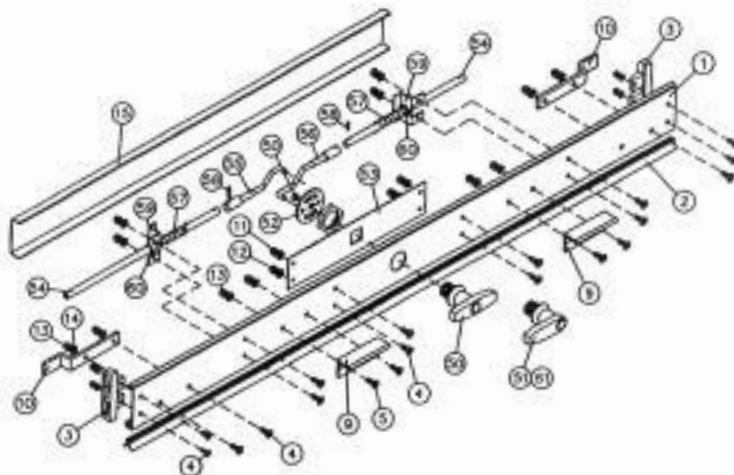
KNOB LOCK



LIFT BAR



SLAM LOCK T&L HANDLE

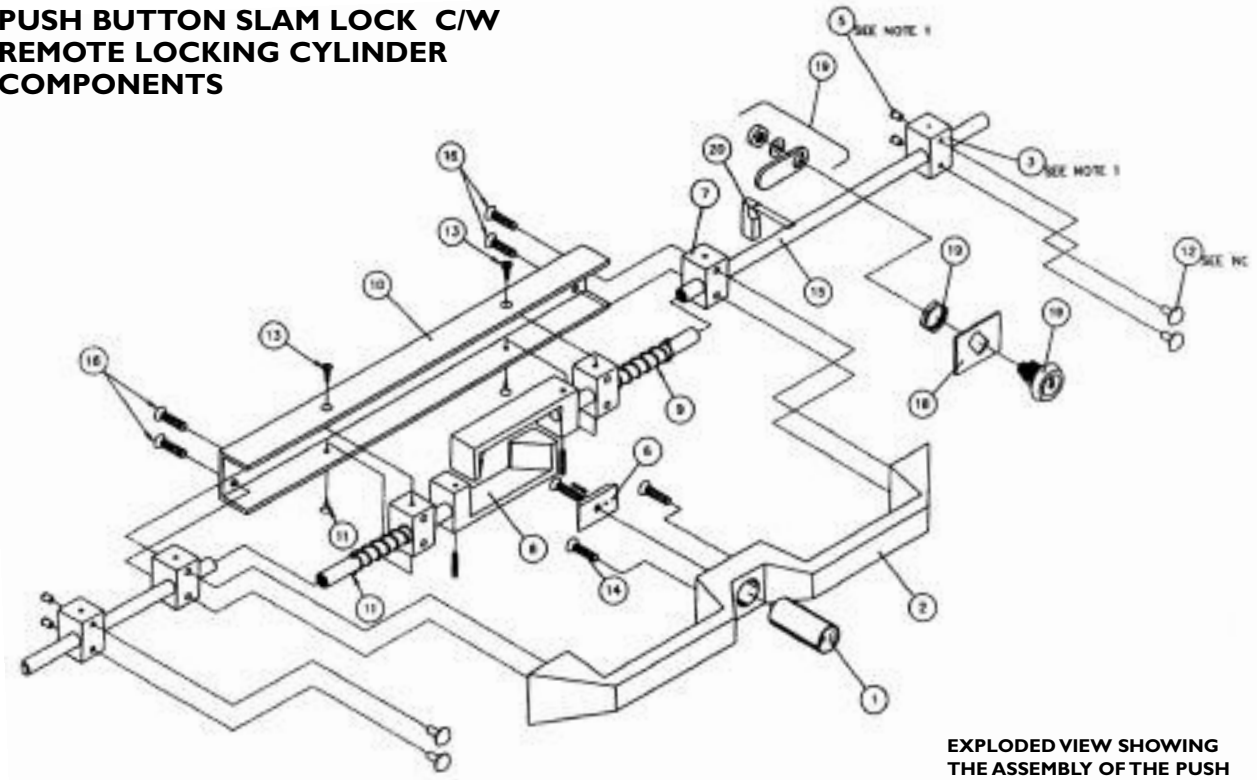


STANDARD COMPONENTS	
Item No	Description
1	34 Series Bottom Rail (Mill Finish)
	34 Series Bottom Rail (Anodised)
2	Bottom Seal (Neoprene) 2.8m Length
3	Bottom Blocks (Nylon)
4	M5 x 16mm Mush. Head Bolt
5	M6 x 16mm Mush. Head Bolt
6	
7	
8	
9	Finger Pull (Aluminium)
10	Stop Bracket (Galvanised)
11	M5 Aerotight Locking Nut
12	M5 Washer
13	M6 Aerotight Locking Nut
14	M6 Washer
15	Clip On Cover Guard (Aluminium)
16	34 Series Heavy Duty Bottom Rail
LIFT BAR COMPONENTS	
Item No	Description
20	Cam Housing (Cast Aluminium)
21	Pivot Block
22	Retainer Block
23	Lift Bar Tube
24	M10 Dome Head Bolt (Black Nylon)
25	M10 Dome Head Nut (Black Nylon)
26	M10 Stainless Steel Washer
27	Flat Clock Spring
28	1/4" Hole Plug (Black Plastic)
29	4.8mm x 16mm Rivet (St/Steel)
30	Lock Cover Fixing Bracket
31	M5 x 16mm Pan Hd St/Steel Slotted Screw
32	3/16" x 5/8" CSK Hd Rivet Aluminium
33	M5 Nutsert
34	M6 'T' Nut
35	M6 Spring Washer
36	M6 x 16mm Hex Hd Bolt S/S
37	M6 Crinkle Washer
38	M10 Shakeproof Washer
39	Cover Guard
KNOB LOCK COMPONENTS	
Item No	Description
40	Lock Rod (238mm Long)
41	Lock Rod (453mm Long)
42	Lock Rod Return Spring
43	35mm Black Knob
44	'Z' Bracket
45	M5 x 24mm Roll Pin
46	Nylon Bush Waranko Head
T & L HANDLE COMPONENTS	
Item No	Description
50	'T' Handle - Emka (Keyed to differ)
51	'L' Handle - Emka (Keyed to differ)
52	Lock Actuator Disc
53	Lock Mounting Plate
54	3/8" Lock Rod
55	Lock Rod MK3 (Slamlock) L/H
56	Lock Rod MK3 (Slamlock) R/H
57	Lock Rod Return Spring
58	M5 x 25mm Roll Pin
59	'Z' Bracket
60	Nylon Bush Waranko Head
61	Weston Body Hardware 'L' Handle

FOR PRICES ON BOTTOM RAILS
C/W LOCKS PLEASE CONTACT
THE SALES OFFICE

JR Industries
Drwg. Ref:
R498 - Refers

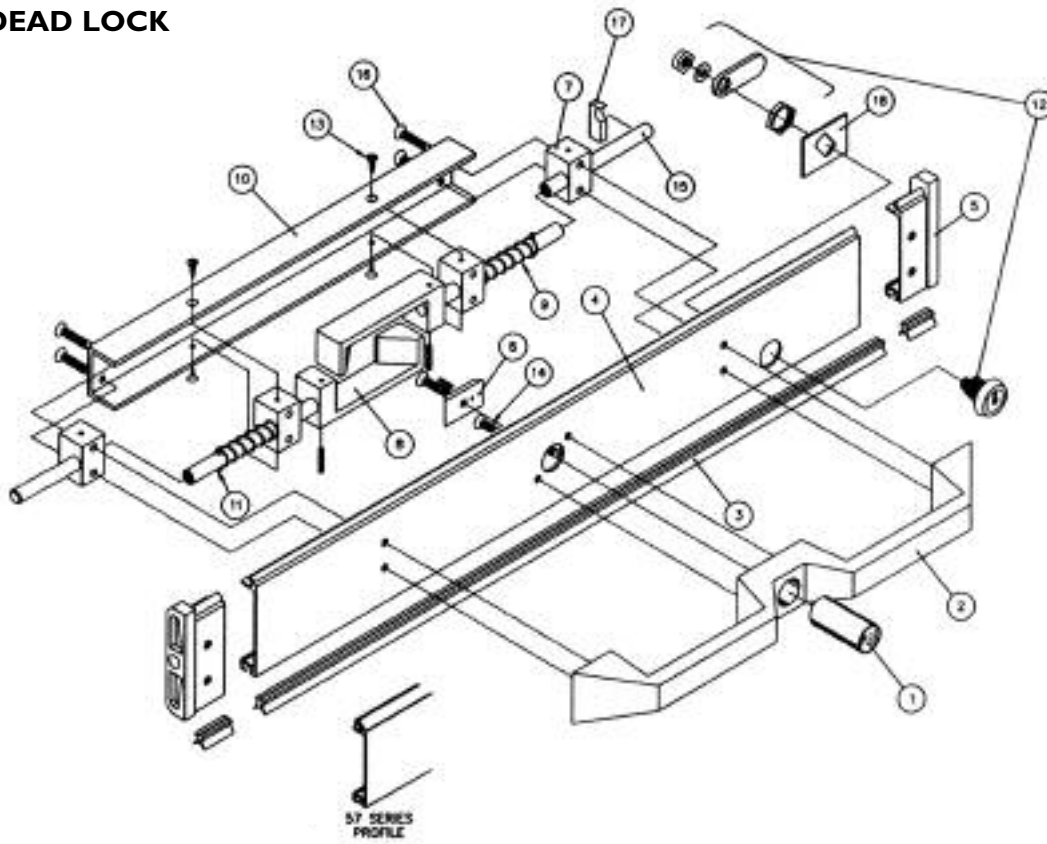
**PUSH BUTTON SLAM LOCK C/W
REMOTE LOCKING CYLINDER
COMPONENTS**



**PUSH BUTTON SLAM LOCK
C/W REMOTE LOCKING CYLINDER COMPONENTS**

Item No	Description
1	Push Button & Actuating Plate Assy
2	Handle, Black Push Button c/w Inserts
3	Retaining Block
4	
5	M5 Nutsert with Head
6	See Item 1
7	Cover Guard Spring Retaining Block
8	Slide Arm
9	Return Spring
10	Cover Guard
11	Roller Pin
12	M5 x 25mm S/S Button Hd Socket Screw
13	No. 6 x 1/2" Self Tapping Screw
14	M5 x 12mm Socket Head Screw
15	3/8" Lock Rod
16	M5 x 35mm Countersunk Slot Head M/Screws
17	
18	Keeper Plate
19	Panel Lock Assembly
20	Mild Steel Lock Tab
Notes: Items 3,5 & 12 are for drawer fronts only	

**PUSH BUTTON SLAM
LOCK WITH A REMOTE
DEAD LOCK**



**EXPLODED VIEW SHOWING
THE ASSEMBLY OF THE PUSH
BUTTON LOCK**



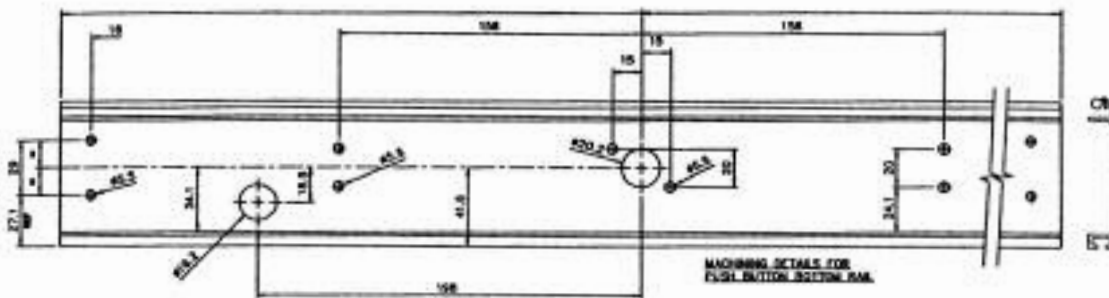
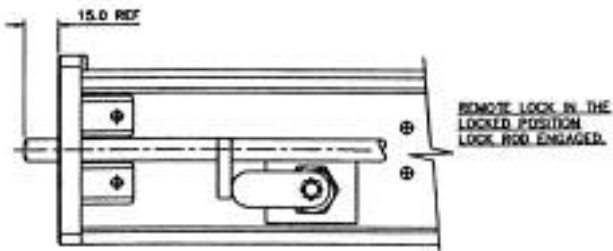
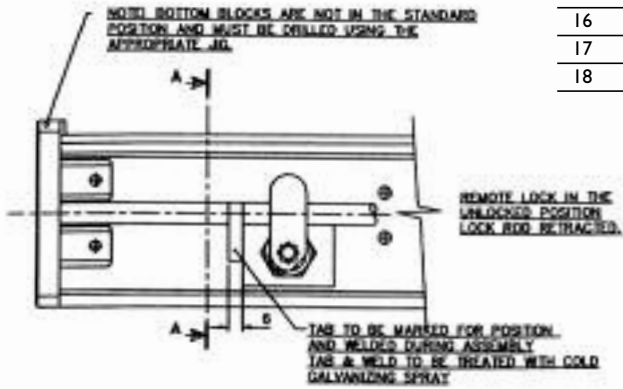
34 SERIES



57 SERIES

PUSH BUTTON SLAM LOCK WITH A REMOTE DEAD LOCK

Item No	Description
1	Push Button & Actuating Plate Assy
2	Handle, Black Push Button c/w Inserts
3	Bottom Seal (Neoprene) 2.8M
4	Bottom Rail
5	Bottom Block
6	See Item 1
7	Cover Guard Spring Retaining Block
8	Slide Arm
9	Return Spring
10	Cover Guard
11	Roll Pin
12	Panel Lock Assy
13	No. 6 x 1/2" Self Tapping Screw
14	M5 x 12mm Socket Head Screw
15	3/8" Lock Rod
16	M5 x 35mm Countersunk Slot Head M/Screws
17	Mild Steel Lock Tab
18	Keeper Plate



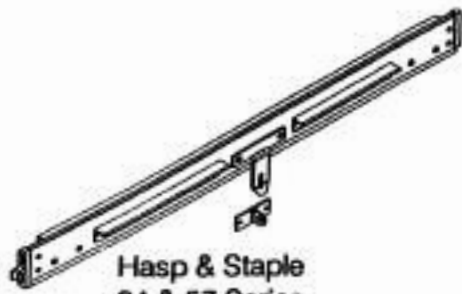
NOTE: ALL DIMENSIONS ARE FOR REFERENCE ONLY AND MUST BE AS DRILLED

**SLIDING HANDLE ARRANGEMENT
REF ANTI-BURST 'CLAW' LATCH**

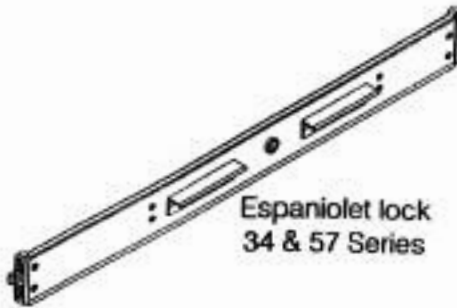
Item No	Description
1	Bottom Rail Heavy Duty, Machined
2	Sliding Handle
3	Locking Block
4	Fascia plate
5	Stop Bracket Mtg Plate
6	Striker Plate
7	Cylinder Profile Plate
8	Claw Latch 'T' Nut
9	Claw Latch L/H
10	Connecting Rod
11	Locking Cylinder
12	Bottom Block (Radius) L/H Bottom Block (Radius) R/H
13	Tension Spring 3/8" x 21g
14	Latch Striker
15	3.2mm x 8mm Countersunk Aluminium Pop Rivet
16	Bottom Seal (Neoprene) 2.8M
17	Stop Bracket
18	M6 x 16mm Hex Head Bolt
19	M6 Flat Washer
20	M6 x 25mm Grub Screw
21	M6 Plain Nut
22	M6 'T' Nut
23	M6 Aerotight Nut
24	M5 x 16mm Mush Head Bolt
25	4.8 x 16.5mm Steel Rivet
26	Clevis Pin
27	M5 Aerotight Nut
28	M5 Flat Washer
29	M5 Hex Head Bolt

Notes: Connecting rod (item 10) to have its final bend formed on assembly (see DRWG R-774).
Centre line of claw latch (item 9) to be positioned 150mm from centre line of bottom rail in position shown.

Robinson Lock Options



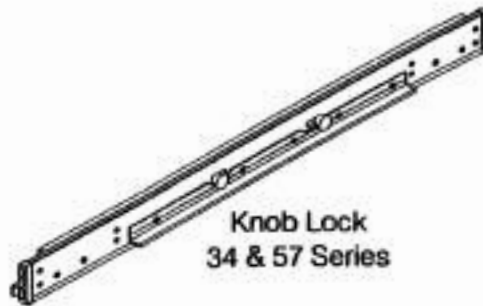
Hasp & Staple
34 & 57 Series



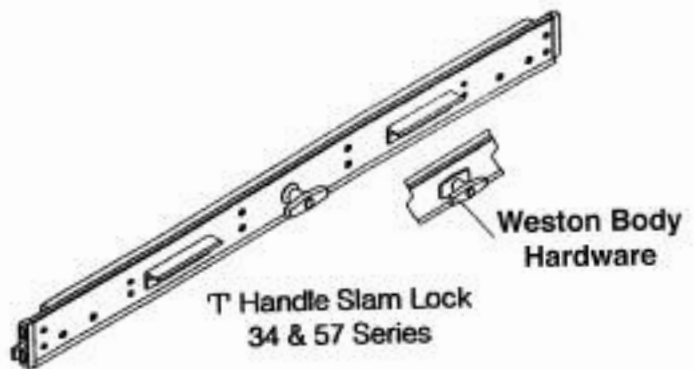
Espaniolet lock
34 & 57 Series



'L' Handle Slam Lock
34 & 57 Series

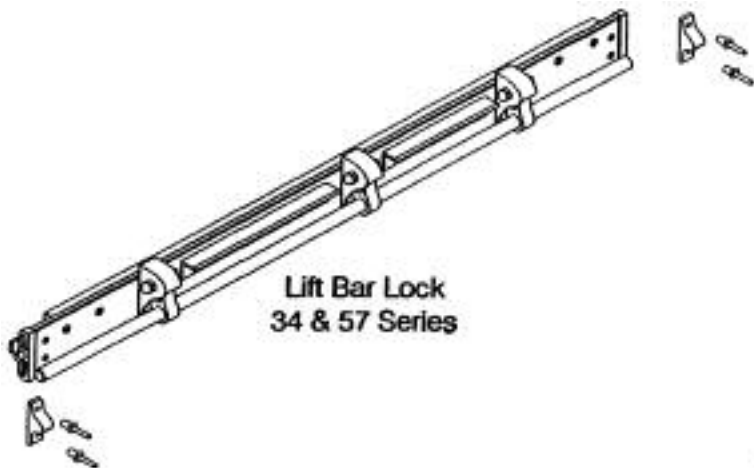


Knob Lock
34 & 57 Series

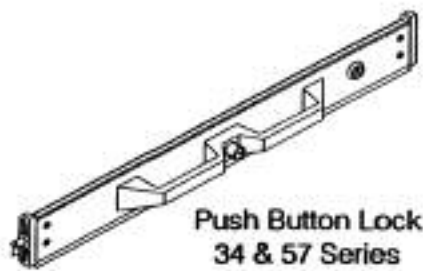


'T' Handle Slam Lock
34 & 57 Series

Weston Body
Hardware



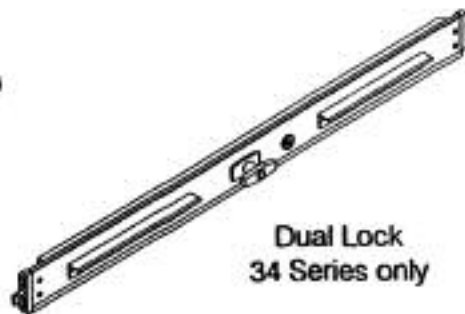
Lift Bar Lock
34 & 57 Series



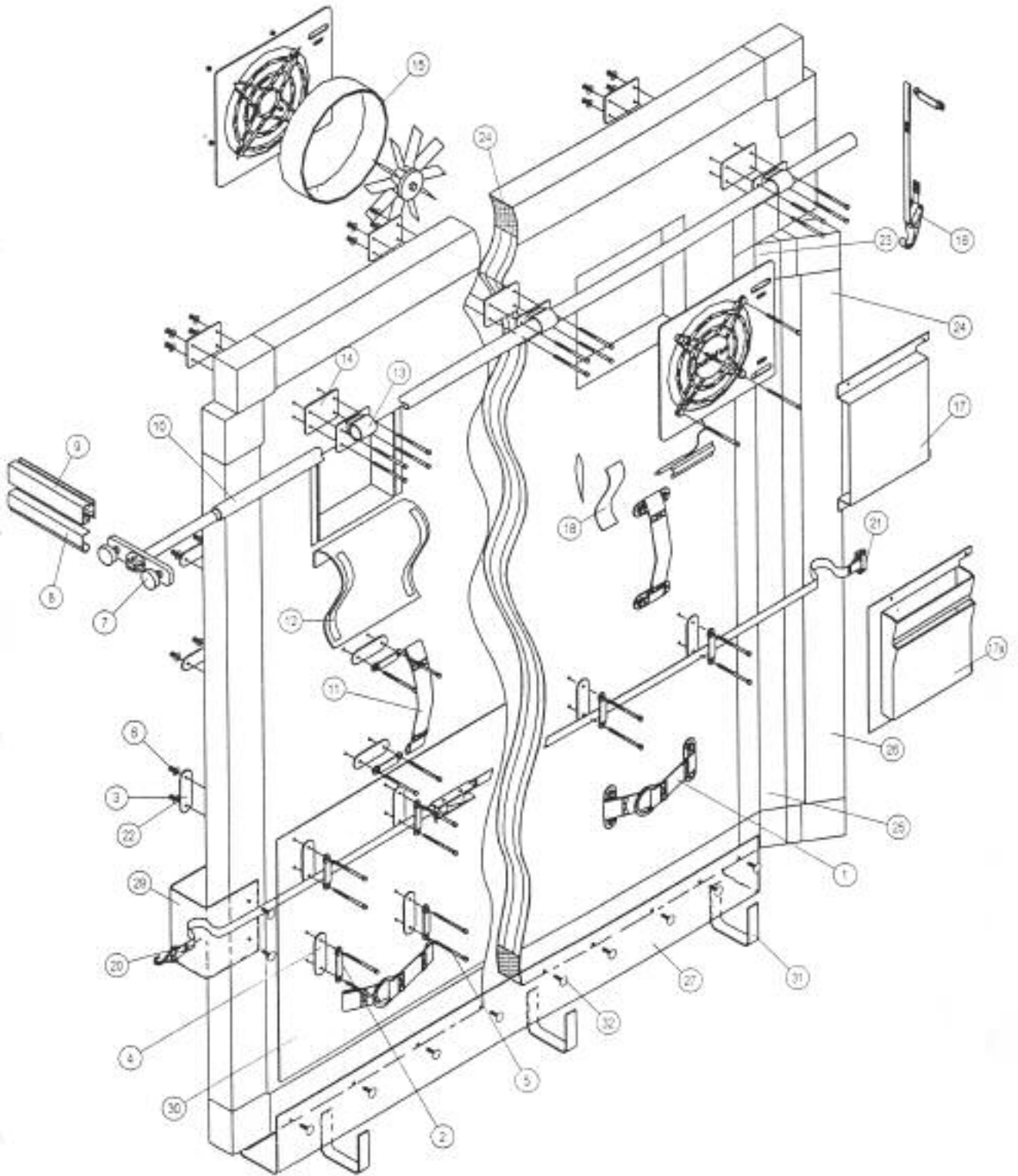
Push Button Lock
34 & 57 Series



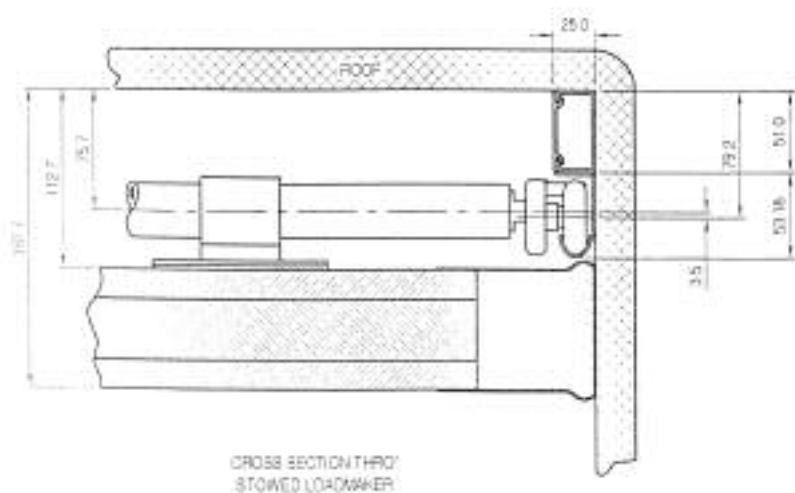
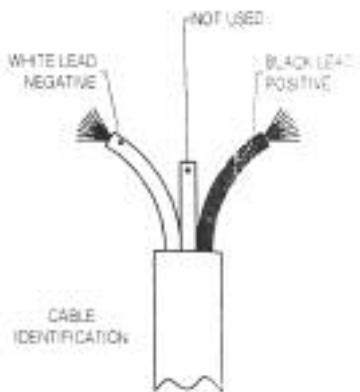
Sliding Handle Lock
34 Series only
(Boot latch or Lock Rod options)



Dual Lock
34 Series only



Item No	Description
1	Door Stowage Strap/Handle
2	Footman Loop
3	Plastic Backing Plate
4	Plastic Backing Plate
5	M6 x 100mm Hex Head Bolt
6	M6 Nyloc Nut
7	Carriage Assembly
8	Track Section 3.2M
9	2" x 1" Plastic Trunking
10	Support Tube (Outside diameter - 34mm, Inside diameter - 29mm)
11	Hand Hold Strap
12	Vent Flap (with Velcro)
13	Mounting Bracket
14	Mounting Bracket Back Plate
15	12 Volt Fan Assembly 24 Volt Fan Assembly 12 Volt Fan Kit Calibrated 24 Volt Fan Kit Calibrated Fan Motor 12 Volt DC - Low Profile Fan Motor 24 Volt DC - Low Profile Thermostat Assembly - Centigrade
16	Tower Pallet Strap & Hook
17	Deflector Cowl
18	Plate, Directional Deflector Cowl
19	LoadMaker Repair Kit (UK)
20	Suzi Cable Assembly (not shown)
21	Strap Assembly (Hook End)
22	Strap Assembly (E Type)
23	High Compression Seal
24	Low Compression Seal 76mm
25	5 1/4" Inner Hinge Material
26	6" Outer Hinge Material
27	Polar Wear Strap
28	
29	Restraint Strap Wear Cuff
30	
31	Fluorescent Tape (Green/Yellow)
32	Big Head Pine Tree Fixing



JR INDUSTRIES LIMITED Caxton Place, Pentwyn, Cardiff CF23 8XN. UK
Telephone:+44 (0)29 2054 9966 Facsimile:+44 (0)29 2054 9046
Visit our website at www.jrindustries.co.uk

All products produced by JR Industries carry ISO 9001:2000 quality accreditation



Q05815