

CATALOGUE



Ansell Protective Solutions AB
Arenagatan 8B
215 33 Malmö, Sweden

Tel: +46 (0)10 205 1800
order.protective@ansell.com
<http://protective.ansell.com>

AlphaTec®

Presentation of AlphaTec® range

AlphaTec® tents by Ansell Protective Solutions AB are reliable tents made of an inflatable rubber structure and a stitched textile cover. They are very flexible and can be equipped with features such as waterbelts, translucent roof, integrated shower system among others.

These inflatable tents are rigorously tested and used as field hospitals, command posts or NBC colpro stations by a considerable number of fire fighting, rescue-, Nato-Forces and Non Governmental Organisations.

AlphaTec® tents are very user-friendly and can be deployed quickly using a minimum of human effort.



Features

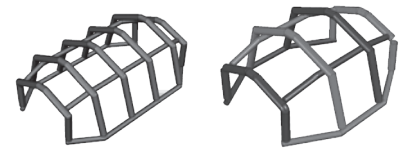
- Inflated in less than 3 minutes.
- Automatic deployment.
- Equipped with built-in safety valves.
- Stay up for several days without reinflating.
- Available in different colors.
- Can be connected to all models.



Fields of use

- Fire Fighting
- Field Hospitals
- Military operations
- Rescue purposes
- First responders

with polygonal structure



AlphaTec® PR45

Inflatable rescue shelter, Assembled and taken down in 3 min. by 2 persons. Ample headroom on floor area. In-deflated with Blower K or BA cylinder. Separate pressure chambers with overpressure valves. Incl. 2 doors zippers, connectable fixtures on inside to suspend accessories, fixed groundsheet, repairset, handpump, guy ropes, pegs, hammer and carrying bag.

Material:

Fabric: Standard Airtex165 colour red, **Frame:** Airtex200

Groundfloor: antislippery Airtex320

Length: 820cm, **Width:** 540cm, **Height:** 300cm, **Weight:** 100kg

Length: 323 in, **Width:** 213 in, **Height:** 118 in, **Weight:** 220 lbs

part no.: PR45



AlphaTec® PR65

Inflatable rescue shelter, Assembled and taken down in 4 min. by 2 persons. Ample headroom on floor area. In-deflated with Blower K or BA cylinder. Separate pressure chambers with overpressure valves. Incl. 2 doors zippers, connectable fixtures on inside to suspend accessories, fixed groundsheet, repairset, handpump, guy ropes, pegs, hammer and carrying bag.

Material:

Fabric: Standard Airtex165 colour red, **Frame:** Airtex200

Groundfloor: antislippery Airtex320

Length: 1 000cm, **Width:** 650cm, **Height:** 315cm, **Weight:** 115kg

Length: 394 in, **Width:** 256 in, **Height:** 124 in, **Weight:** 253 lbs

part no.: PR65



AlphaTec® PR35

Inflatable rescue shelter, Assembled and taken down in 3 min. by 2 persons. Ample headroom on floor area. In-deflated with Blower K or BA cylinder. Separate pressure chambers with overpressure valves. Incl. 2 doors zippers, connectable fixtures on inside to suspend accessories, fixed groundsheet, repairset, handpump, guy ropes, pegs, hammer and carrying bag.

Material:

Fabric: Standard Airtex165 colour red, **Frame:** Airtex200

Groundfloor: antislippery Airtex320

NSN: 8340-17-115-5828

Length: 640cm, **Width:** 540cm, **Height:** 300cm, **Weight:** 85kg

Length: 252 in, **Width:** 213 in, **Height:** 118 in, **Weight:** 187 lbs

part no.: PR35



with two-slope roof



AlphaTec® TR30

Inflatable rescue shelter, Assembled and taken down in 2 min. by 2 persons. Ample headroom on floor area. In-deflated with Blower K or BA cylinder. Separate pressure chambers with overpressure valves. Incl. 2 doors zippers, connectable fixtures on inside to suspend accessories, fixed groundsheet, repair set, handpump, guy ropes, pegs, hammer and carrying bag.

Material:

Fabric: Standard Airtex165 colour red, **Frame:** Airtex200

Groundfloor: antislippery Airtex320

Length: 600cm, **Width:** 450cm, **Height:** 280cm, **Weight:** 75kg

Length: 236 in, **Width:** 177 in, **Height:** 110 in, **Weight:** 165 lbs

part no.: TR30



AlphaTec® TR35L

Inflatable rescue shelter, Assembled and taken down in 2 min. by 2 persons. Ample headroom on floor area. In-deflated with Blower K or BA cylinder. Separate pressure chambers with overpressure valves. Extra strong frame for increased snowload.. Incl. 2 doors zippers, connectable fixtures on inside to suspend accessories, fixed groundsheet, repairset, handpump, guy ropes, pegs, hammer and carrying bag.

Material:

Fabric: Standard Airtex165 colour red, **Frame:** Airtex200

Groundfloor: antislippery Airtex320

Length: 700cm, **Width:** 500cm, **Height:** 295cm, **Weight:** 130kg

Length: 276 in, **Width:** 197 in, **Height:** 116 in, **Weight:** 286 lbs

part no.: TR35L



AlphaTec® TR10

Inflatable rescue shelter, Assembled and taken down in 2 min. by 2 persons. Ample headroom on floor area. In-deflated with Blower K or BA cylinder. Separate pressure chambers with overpressure valves. Incl. 2 doors zippers, connectable fixtures on inside to suspend accessories, fixed groundsheet, repairset, handpump, guy ropes, pegs, hammer and carrying bag.

Material:

Fabric: Standard Airtex165 colour red, **Frame:** Airtex200

Groundfloor: antislippery Airtex320

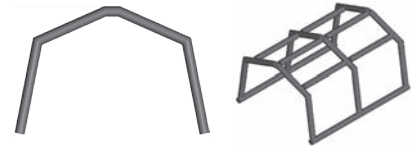
Length: 370cm, **Width:** 300cm, **Height:** 240cm, **Weight:** 55kg

Length: 146 in, **Width:** 118 in, **Height:** 94 in, **Weight:** 121 lbs

part no.: TR10



with two-slope roof



AlphaTec® TR35

Inflatable rescue shelter, assembled and taken down in 3 min. by 2 persons. Ample headroom on floor area. In-deflated with Blower K or BA cylinder. Separate pressure chambers with overpressure valves. Incl. 2 doors zippers, connectable fixtures on inside to suspend accessories, fixed groundsheet, repairset, handpump, guy ropes, pegs, hammer and carrying bag.

Material:

Fabric: Standard Airtex165 colour red, **Frame:** Airtex200

Groundfloor: antislippery Airtex320

Length: 600cm, **Width:** 570cm, **Height:** 300cm, **Weight:** 88kg

Length: 236 in, **Width:** 224 in, **Height:** 118 in, **Weight:** 194 lbs

part no.: TR35



AlphaTec® TR20

Inflatable rescue shelter, assembled and taken down in 2 min. by 2 persons. Ample headroom on floor area. In- deflated with Blower K or BA cylinder. Separate pressure chambers with overpressure valves. Incl. 2 doors zippers, connectable fixtures on inside to suspend accessories, fixed groundsheet, repairset, handpump, guy ropes, pegs, hammer and carrying bag.

Material:

Fabric: Standard Airtex165 colour red, **Frame:** Airtex200

Groundfloor: antislippery Airtex320

Length: 500cm, **Width:** 400cm, **Height:** 290cm, **Weight:** 60kg

Length: 197 in, **Width:** 157 in, **Height:** 114 in, **Weight:** 132 lbs

part no.: TR20



AlphaTec® TR25

Inflatable rescue shelter, assembled and taken down in 2 min. by 2 persons. Ample headroom on floor area. In-deflated with Blower K or BA cylinder. Separate pressure chambers with overpressure valves. Incl. 2 doors zippers, connectable fixtures on inside to suspend accessories, fixed groundsheet, repairset, handpump, guy ropes, pegs, hammer and carrying bag.

Material:

Fabric: Standard Airtex165 colour red, **Frame:** Airtex200

Groundfloor: antislippery Airtex320

Length: 500cm, **Width:** 500cm, **Height:** 285cm, **Weight:** 65kg

Length: 197 in, **Width:** 197 in, **Height:** 112 in, **Weight:** 143 lbs

part no.: TR25



The AlphaTec® RR shelters are user friendly, no special knowledge or skill or tools are required. All shelter sizes are standardized to make all shelters fit easily together.

Features

- Inflated in less than 3 minutes.
- Automatic deployment.
- Equipped with built-in safety valves.
- Stay up for several days without reinflation.
- Available in different colors.
- Can be connected to all other AlphaTec® and AlphaTec®-RR models.



Fields of use

- Field hospital
- Command post
- Shelter
- Mass decontamination
- Base camp
- Compound



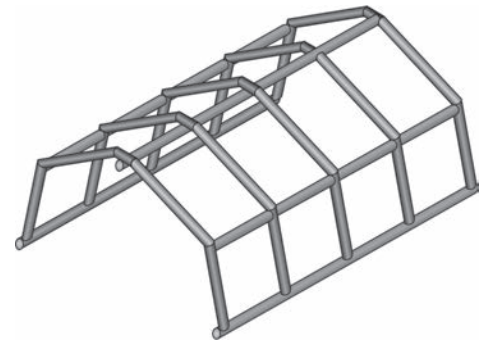
The AlphaTec® RR tents are inflatable rescue shelters which can be assembled and taken down in less than 5 minutes by 2 persons; apart from the frame tubes, the floor surface is completely free. The frame is equipped with 2 overpressure valves. AlphaTec® RR tents are equipped with 2 zipped doors, a fixed groundsheet, repair kit, handpump, guy ropes, pegs, hammer and carrying bag.

Materials :

Cover : Standard Airtex 165 colour white-grey

Floor : Airtex 320

Frame : Airtex 200



	AlphaTec® RR20	AlphaTec® RR30	AlphaTec® RR40	AlphaTec® RR50	AlphaTec® RR60
Article code	RR20	RR30	RR40	RR50	RR60
Arches	3	4	5	6	7
Length cm / inches	370 / 144	550 / 215	730 / 285	910 / 355	1100 / 429
Width cm / inches	605 / 236	605 / 236	605 / 236	605 / 236	605 / 236
Height cm / inches	325 / 127	325 / 127	325 / 127	325 / 127	325 / 127
Weight kg / lbs	54 / 119	80 / 176	106 / 233	132 / 291	154 / 229
Packed dimensions (L x W x H) cm	90x90x50	120x100x50	130x100x65	130x100x80	150x120x80
Packed dimensions (L x W x H) inches	35x35x20	47x39x20	50x39x25	50x39x31	58x47x31

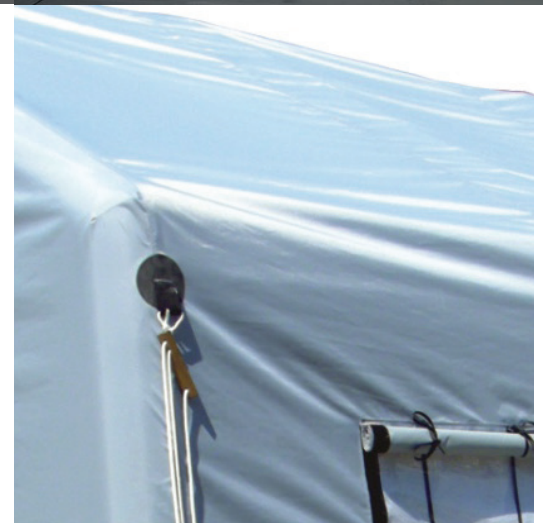


The AlphaTec® P system is specially developed to provide first responders with the equipment they need and when they need it on short notice. The AlphaTec® SP series is versatile and made to fit your purpose. Its inner width of 546cm / 214in makes it possible to fit two beds opposed to each other leaving almost 1,5m / 59in in between for personnel passing through. The AlphaTec® SP are very easy to set up - no special knowledge is required. All sizes are standardized to make all shelters fit together.



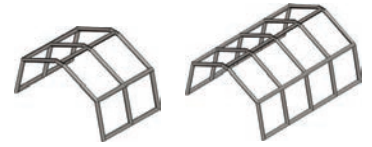
Features

- Connecting ability
- Tightening belts
- Carrying bag
- Doors facilitate optimum modular configurations
- Fixing points for lighting elements
- Openings for electrical cables and heating
- Inflated in less than three minutes
- Lightweight: two-man handling
- Built-in safety valves
- Shelters can be connected to all other models
- Stays up for several days without reinflation
- Airframe design allows automatic deployment



Fields of use

- Shelter
- Field hospital
- Command post
- Mass Decontamination
- Base Camp
- Compound



AlphaTec® SP20

Optional features:

- textile waterbelts for installation on non-drillable floor
- connection sheet
- decontamination configuration: side liner + central separation curtain for shower installation
- water basin on the floor

Material:

Frame: standard Airtex270.1

Cover: Airtex455

Length: 330cm, Width: 544cm, Height: 290cm, Weight: 60kg

Length: 130 in, Width: 214 in, Height: 114 in, Weight: 132 lbs

part no.: SP20



AlphaTec® SP25

Optional features:

- textile waterbelts for installation on non-drillable floor
- connection sheet

Material:

Frame: standard Airtex270.1

Cover: Airtex455

Length: 460cm, Width: 544cm, Height: 270cm, Weight: 98kg

Length: 181 in, Width: 214 in, Height: 106 in, Weight: 216 lbs

part no.: SP25



AlphaTec® SP45

Optional features:

- textile waterbelts for installation on non-drillable floor
- connection sheet

Material:

Frame: standard Airtex270.1

Cover: Airtex455

Length: 760cm, Width: 605cm, Height: 330cm, Weight: 130kg

Length: 300 in, Width: 238 in, Height: 130 in, Weight: 286 lbs

part no.: SP45



AlphaTec® MR85

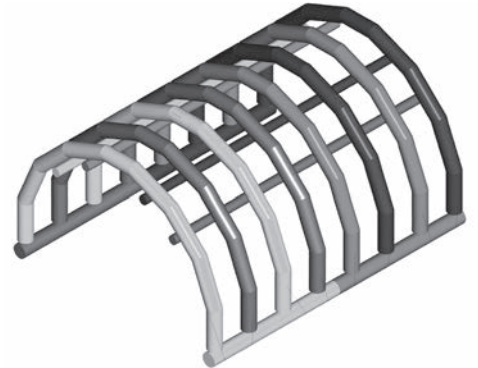
Inflatable tents



The AlphaTec® MR85 is suited for many purposes on field operations and is especially suited for maintenance purpose on vehicles. In less than 1 hour, you have a shelter fit to use as a cleaning and decontamination area for trucks, with a surface of more than 80 m² / 861 ft². The rubber material used for the frame ensures that chemicals will not migrate in it.

Technical data:

Length: 1 000cm, Width: 820cm, Height: 550cm, Weight: 240kg
Length: 393 in, Width: 322 in, Height: 216 in, Weight: 529 lbs
Part no.: MR85



AlphaTec® MR60

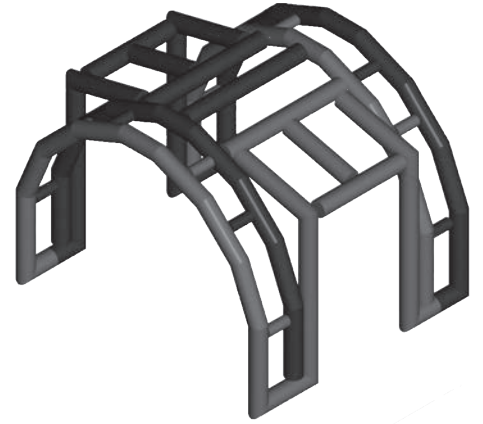


Inflatable tents

The AlphaTec® MR60 is designed to function as a workshop tent. It can be handled with a minimum of 4 persons. The tent can be setup and taken down in 45 minutes. Its specially designed docking system allows vehicles parking with their loading doors inside the AlphaTec® MR60.

Technical data:

Length: 700cm, Width: 820cm, Height: 500cm, Weight: 230kg
Length: 275 in, Width: 322 in, Height: 196 in, Weight: 807 lbs
Part no.: AIR1300



Options available on tents



Inflatable tents

Window panel

1 window panel with 3 layers Mosquito net, transparent and full cover.

Length: 40cm, Width: 60cm

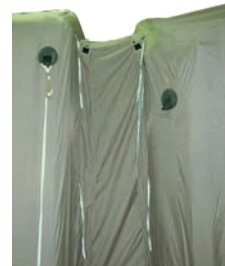
Length: 15 in, Width: 23 in

part no.: AIR421-C



Connection sheet

Panel on both side zippers to connect two tents.



Detachable groundsheet

Removable ground sheet with velcro, instead of fixed groundsheet.



Banner set

2 Banners, detachable with velcro, tourniquets, mushroom buttons or direct printed on cover material. Can be put either on the long side or the gable of the tent



Waterbelts

Set (2 pieces) of water belts for anchoring.

Capacity: 600 l. / 159 gallons set of 2 pieces

Length: 400cm, Width: 30cm, Weigth: 8 kg

Length: 157 in, Width: 11 in, Weigth: 17 lbs

part no.: AIR420A



Accessories



Inflatable tents

Blower K

Blower with accessories for inflating and deflating shelter, cabin or basin. Including hose and transport box. 230 V and 110 V version available.

Part no.: AIR449 – Blower K



Pressure reducing valve

Pressure reducer for inflation of shelter, cabin or basin, to connect on BA Air cylinder. 200 - 300 Bar, incl. connection hose with male quick coupling.

Weigth: 2,5kg / 5,5 lbs

part no.: AIR440



Heater AIR30

For heating or ventilating air in shelters. Hoses for air inlet and outlet are available to recirculate air for optimal energy efficiency.

Length: 126cm, Width: 47cm, Height: 68,5cm

Length: 49 in, Width: 18 in, Height: 26 in

Airflow 1080m³/hr, fuel

Electric power: 2,3 Ah max 1x230V, 430W nom.

Output: 22,5 kW,

Fuel consumption: 2,45 l/h

Weigth: 68 kg / 149 lbs



Air conditioner

Split Airco System for cooling the air inside the tents, the Evaporator unit is put inside the tent and connected with 3m long flexible piping with condensor unit outdoor.

Cooling capacity: 4,2 kW. Air volume: 640 m³/h. Power input: 1,4 kW airconditioning

Length: 56cm, Width: 41cm, Height: 120cm, Weight: 76kg

Length: 22 in, Width: 17 in, Height: 47 in, Weight: 168 lbs

part no.: AIR558

Option: AIR558-A – wooden transportation box



Presentation of decontamination range

Our decontamination range is meant to accompany you on every field of operation that needs a consistent, robust and mobile solution quickly deployable in case of pandemic disease or chemical contamination. The inflatable cabins offer a built-in shower system which can be fed with clear water or water mixed with decontamination chemicals. We can also offer retention basins and independent shower systems. Our systems allow decontamination of people in a minimum of time with a maximum efficiency and safety; to avoid human error, a minimum of assistance from third parties is needed during the decontamination process.



Features

- Adaptable, flexible solutions, from all-in-one cabins to separate accessories
- Possible integration with the rest of our product range
- Tents, accessories and spare parts can be purchased separately



Fields of use

- Fire brigades
- Field hospitals
- Military operations



Inflatable shower cabins

Did you know ?

Rubber is a material that does not allow penetration from chemical agents; contamination cannot migrate in it, unlike PVC. So PVC framed decon cabins should be reserved for non-chemical decontamination projects. Rubber frames are also more airtight and more resistant than PVC frames in general.

Common features to all cabins:

- Clearly marked entry (red, as you are coming from a contaminated zone) / exit (green)
- Inflation requires a Blower K or a pressure reducing valve (inflation with BA cylinder) to be ordered separately
- Standard couplings for connection to water system : Geka type
- Accessories in option :
 - Transparent window panel with gloves for external help
 - Decontamination accessories : brush, pistol



Decon Cabin 100

The smallest cabin of the range. Inflatable decontamination showercabin, rubber frame, shower space with colour coded entrance and exit, integrated basin, Inflated with Blower K or BA cylinder. Set up in 25 secs. Incl. repair kit, handpump, pegs, hammer, carry bag, manual.

Material:

Frame: Rubber

Curtain: Airtex800 (inclusive shower strip)

Length: 180cm, Width: 180cm, Height: 250cm, Weight: 45kg

Length: 70 in, Width: 70 in, Height: 98 in, Weight: 99 lbs

part no.: AFW113D



Decon Cabin 150

The smallest cabin of the range which also includes a basin. Inflatable decontamination showercabin, rubber frame, shower space with colour coded entrance and exit, integrated basin and extended basin, Inflated with Blower K or BA cylinder. Set up in 30 secs. Incl. repair kit, handpump, pegs, hammer, carry bag, manual.

Material:

Frame: Rubber

Curtain: Airtex800 (inclusive shower strip)

Length: 380cm, Width: 200cm, Height: 250cm, Weight: 50kg

Length: 149 in, Width: 78 in, Height: 98 in, Weight: 110 lbs

part no.: AFW112A



Decontamination



Inflatable shower cabins

Decon Cabin 160

An inflatable shower cabin, consisting of a PVC frame, a shower space and a pre-decontamination basin.

Inflated with Blower K or BA cylinder. Set up in 35 secs. Incl. repair kit, handpump, pegs, hammer, carry bag, manual.

Material:

Frame: PVC,

Curtain: Airtex800 (inclusive special shower hose system)

Length: 380cm, **Width:** 200cm, **Height:** 260cm, **Weight:** 60kg

Length: 149 in, **Width:** 78 in, **Height:** 102 in, **Weight:** 132 lbs

part no.: AFW112AG



Decon Cabin 200

Inflatable decontamination showercabin, rubber frame, shower space with colour coded entrance and exit, integrated basin, Inflated with Blower K BA cylinder. Set up in 35 secs. Incl. repair kit, handpump, pegs, hammer, carry bag, manual.

Material:

Frame: Rubber,

Curtain: Airtex800 (inclusive shower strip)

Length: 250cm, **Width:** 250cm, **Height:** 270cm, **Weight:** 55kg

Length: 98 in, **Width:** 98 in, **Height:** 106 in, **Weight:** 121 lbs

part no.: AFW113A



Decon Cabin 300

Inflatable decontamination showercabin, rubber frame, shower space with colour coded entrance and exit, integrated basin and extended basin, Inflated with Blower K or BA cylinder. Set up in 40 secs. Incl. repair kit, handpump, pegs, hammer, carry bag, manual.

Material:

Frame: Rubber,

Curtain: Airtex800 (inclusive shower strip)

Length: 450cm, **Width:** 250cm, **Height:** 270cm, **Weight:** 65kg

Length: 177 in, **Width:** 98 in, **Height:** 106 in, **Weight:** 143 lbs

part no.: AFW113B



Decontamination



Inflatable shower cabins

Decon Cabin 400

Inflatable decontamination showercabin, rubber frame, extended showercabin with colour coded entrance and exit, integrated basin, Inflated with Blower K or BA cylinder. Set up in 50 secs. Incl. repair kit, handpump, pegs, hammer, carry bag, manual.

Material:

Frame: Rubber,

Curtain: Airtex800 (inclusive shower strip)

Length: 450cm, Width: 250cm, Height: 270cm, Weight: 69kg

Length: 177 in, Width: 98 in, Height: 106 in, Weight: 152 lbs

part no.: AFW113C



Decon Cabin 450

Inflatable decontamination showercabin, rubber frame, double showercabin with 2 colour coded entrances and exits, integrated basin and extended basin, Inflated with Blower K or BA cylinder. Set up in 30 secs. Incl. repair kit, handpump, pegs, hammer, carry bag, manual.

Material:

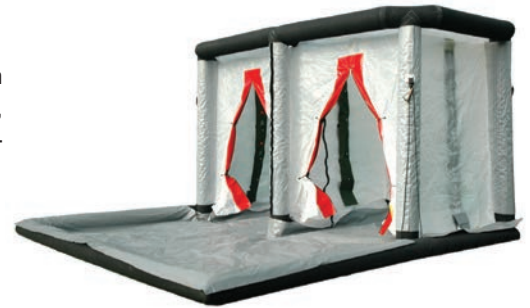
Frame: Rubber,

Curtain: Airtex800 (inclusive shower strip)

Length: 450cm, Width: 480cm, Height: 270cm, Weight: 75kg

Length: 177 in, Width: 188 in, Height: 106 in, Weight: 165 lbs

part no.: AFW113E



Decon Cabin 420

Inflatable decontamination showercabin, rubber frame, double showercabin with 2 colour coded entrances and exits, integrated basin, Inflated with Blower K or BA cylinder. Set up in 50 secs. Incl. repair kit, handpump, pegs, hammer, carry bag, manual.

Material:

Frame: Rubber,

Curtain: Airtex800 (inclusive shower strip)

Length: 450cm, Width: 250cm, Height: 270cm, Weight: 69kg

Length: 177 in, Width: 98 in, Height: 106 in, Weight: 152 lbs

part no.: AFW113CD



These basins can be used for boots decontamination or as collection basins for showers with external assistance. The basin tubes are made of rubber material. All liners can be replaced if damaged or contaminated.



Decon Basin 150

Decontamination basin for collecting contaminated water, inflated by Blower K or BA cylinder. Inflated in 15 sec. Incl. interchangeable liner and overpressure valve.

Material:

Frame: Rubber, Liner: Airtex300 (Resistance table D)

Length: 150cm, Width: 150cm, Height: 25cm

Length: 59 in, Width: 59 in, Height: 9 in

Weight: 10kg / 22 lbs

part no.: afw111f



Decon Basin 250

Decontamination basin for collecting contaminated water, inflated by Blower K or BA cylinder. Inflated in 18 sec.. Incl. interchangeable liner and overpressure valve.

Material:

Frame: Rubber, Liner: Airtex300 (Resistance tabel D)

Length: 250cm, Width: 250cm, Height: 25cm

Length: 98 in, Width: 98 in, Height: 9 in

Weight: 15kg / 33 lbs

part no.: AFW111D



Decon Basin 500

Decontamination basin for collecting contaminated water, inflated by Blower K or BA cylinder. Inflated in 20 sec.. Incl. interchangeable liner and overpressure valve.

Material:

Frame: Rubber, Liner: Airtex300 (Resistance tabel D)

Length: 300cm, Width: 500cm, Height: 23cm

Length: 118 in, Width: 196, Height: 9 in

Weight: 20kg / 44 lbs

part no.: afw111c



Decontamination

Decontamination Accessories



We aim at supplying you not only with tents, but with a full turnkey decontamination system. Our accessories can be used separately or together ; the smaller ones are installed in stackable boxes for easier handling and storage.



Fields of use

- Decontamination
- Field hospital
- Fire brigades
- Military operations
- Disaster relief
- First responders



Decontamination



Decontamination Accessories

Waterheater

Portable self heating water system, Instantaneous warm water for decontamination. Capacity: 50 l/min., Delta T 30 degrees C (at 3000 l/hr.). Adjustable and automatic temperature control: up to 70C°, 61000 kcal/hr., Max. pressure 6 Bar. Diesel consumption 7,8 l/hr. Electric Motor 71 kW, 220V/50Hz. incl Nato Jerry can.

Length: 63cm, Width: 66cm, Height: 97cm, Weight: 83 kg
Length: 24 in, Width: 25 in, Height: 38 in, Weight: 182 lbs
part no.: ACD250

2 options available:

- Part no. ACD250 : Water heating element: steel
- Part no. ACD255 : Water heating element: stainless steel

We recommend the use of stainless steel heating resistance on field operations for its minimal maintenance.

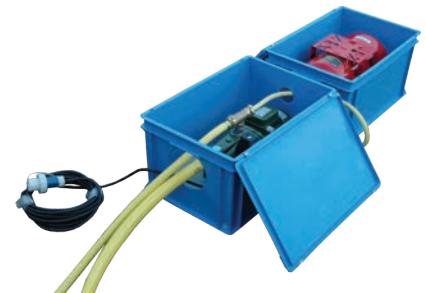


Hydrophor Pump

Electric water supply pump for decon systems, Runnig fully automatic. incl. manometer and seperate expansion tank, Capacity 60 L/min., 4 Bar, Motor IP65 230 Volt, 800W. For easy handling mounted in 2 box's. Standard Geka couplings (0,75Kw)

Length: 60cm, Width: 40cm, Height: 34cm, Weight: 35kg
Length: 23 in, Width: 15 in, Height: 13 in, Weight: 77 lbs
part no.: AFZ710

Option: the hydrophor pump can be supplied in 110V
part no.: AFZ710-110V



Hazmat Shower

Decontamination shower for larger groups, erected in 15 sec. Safe and efficient to wash persons wearing chemical suits. 9 spraying nozzles. Capacity: 50 l/min. at 7 Bar.

Material: fully stainless steel

Length: 114cm, Width: 64cm, Height: 210cm, Weight: 22 kg

Length: 44 in, Width: 25 in, Height: 82 in, Weight: 48 lbs

part no.: ACD112A



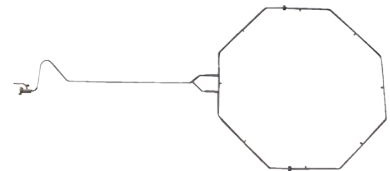
Deconcircle

Decontamination shower octagonal circle with handle assembled in 15 sec. Safe and efficient to wash persons wearing chemical suits. 8 special spraying nozzles. Capacity: 45 l/min. at 7 Bar.

Material: stainless steel

Weight: 3,8 kg / 8 lbs

part no.: ACD112KII



Decontamination



Decontamination Accessories

Watermanifold WM750

1 inlet, 4 outlets

Manifold for Decon and drinking water systems with 4x1" outlet valves, temperature and pressure gauges. Material: pipes copper, valves brass. For easy handling mounted in Box. Standard Geka couplings.

Length: 35cm, Width: 45cm, Height: 50cm, Weight: 10kg

Length: 14 in, Width: 18 in, Height: 20 in, Weight: 22 lbs

part no.: ZPS750



Watermanifold WM751

1 inlet, 2 outlets

Water manifold, 1 inlet 2 outlets 1" with valves. For Easy handling mounted on board and packed in Box, Standard Geka couplings.

Length: 40cm, Width: 30cm, Height: 12cm, Weight: 3kg

Length: 16 in, Width: 12 in, Height: 5 in, Weight: 6,6 lbs

part no.: ZPS751



Inducer

Inducer to mix detergent solvents or decontamination fluids. Maintains set percentage regardless of flow and pressure. Flow capacity 50 L/min. Pressure Min. 0,30 Bar, Max. 6 Bar. Adjustable percentage 0,2% - 2%. For easy handling mounted in Box. Standard Geka couplings

Length: 60cm, Width: 40cm, Height: 22cm, Weight: 4,5kg

Length: 24 in, Width: 16 in, Height: 7 in, Weight: 10 lbs

part no.: ACD201a



Wastepump

Evacuation Pump for contaminated decon water of MD AlphaTec® or Decon cabin/basin. Motor: IP 68, 0,25 kW, 24 Volt 50 Hz - 60 Hz, thermal safety 10m cable. Automatic levelswitch. minimum level 4 mm.. Capacity: 3,5 m3/hour. Pressure hose connection Geka. Suction holes Ø 17mm.

Length: 40cm, Width: 30cm, Height: 34cm

Length: 16 in, Width: 12 in, Height: 13 in

part no.: AFZ720

Option: the waste pump can be supplied in

- 110V : part no. : AFZ720-B
- 24V : part no. : AFZ720-A



Decontamination



Decontamination Accessories

Set of hoses for Mass Decontamination AlphaTec®

Set of hoses for a Mass Decon System, Standard coupling Geka For easy handling packed in Box

part no.: ZPS201A



Water pressure reducing valve

Water pressure release valve 1", adjustable: 1 to 12 Bar

Material: brass. Standard couplings Geka

Weight: 1,1kg / 2,4 lbs

part no.: ON3802



Fluidbag

Closed container to collect hazardous fluids or feed your shower system, 500 litres/132 gallon. Incl. double PE liner, 2 in/outlets 2" female

Weight: 7kg / 15 lbs

part no.: AFW120A

The fluidbag can be fitted with a valve including coupling for connection to your water system:

Valve fitted with Geka coupling: part no. AFW121G

Material: PE

Coupling 2" male and 1 1/4 " male



Deconbrush

Decon brush with spiral hose for decontamination of non ambulatory persons, flow 5 l/min. Standard quick coupling male

part no.: ZPS112



Deconpistol

Decon pistol with spiral hose for decontamination of non ambulatory persons, adjustable flow max 15 l/min. Standard quick coupling male.

part no.: ZPS114F



Decontamination



Decontamination Accessories

Elevation grid

Floor slats, elevated floor in basin of cabin or Mass Decon Airshetter.

Length: 120cm, Width: 60cm, Height: 2,5cm, Weight: 2kg

Length: 47 in, Width: 23 in, Height: 0,63 in, Weight: 4 lbs

part no.: AIR416



Conveyor

Conveyor for moving non ambulatory victims on transfer board through decontamination unit. Can accept many stretchers and spineboard systems. 2m segments interconnectable, 7 rolling bars.

Material: Aluminium

Length: 201cm, Width: 50cm, Height: 75cm, Weight: 17kg

Length: 80 in, Width: 19 in, Height: 29 in, Weight: 37 lbs

part no.: ZPS503



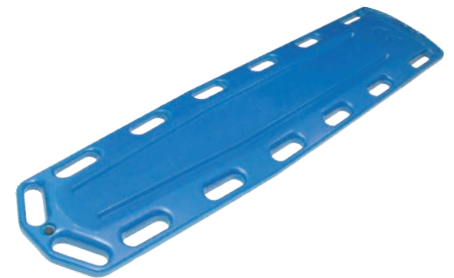
Transfer board

Transfer board for Conveyor, load capacity is : (136 kg/300 lbs) per lineal foot.

Length: 184cm, Width: 43cm, Height: 5cm, Weight: 5,4kg

Length: 73 in, Width: 16 in, Height: 1,3 in, Weight: 12 lbs

part no.: zps501



Rescue Cushions



Civil Protection

Rescue Cushion 16 M

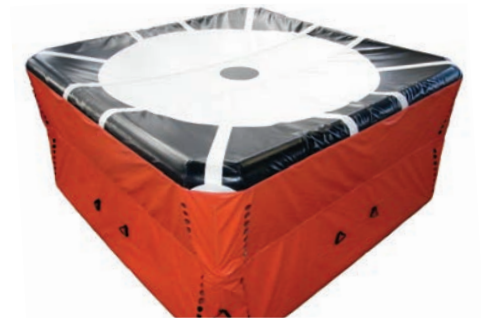
This cushion is used to rescue people jumping or falling from a building in case of a fire. The maximum jumping height is 16 meters / 51 ft (test along the procedure required by DIN 14151-3). The frame can be inflated either with a compressed air cylinder (DIN-type coupling) or an electrical inflator.

Colour of landing area: white - Walls: Orange

Length: 347cm, Width:347 cm, Height: 170cm, Weight: 55kg

Length: 136 in, Width:136 in, Height: 66 in, Weight: 121 lbs

part no.: CUS160



Rescue Cushion 23 M

This cushion is used to rescue people jumping or falling from a building in case of a fire. The maximum jumping height is 23 meters / 73 ft (test along the procedure required by DIN 14151-3). The frame can be inflated either with a compressed air cylinder (DIN-type coupling) or an electrical inflator.

Colour of landing area: white - Walls: Orange

Length: 450cm, Width: 450cm, Height: 240cm, Weight: 80kg

Length: 177 in, Width: 177 in, Height: 94 in, Weight: 176 lbs

part no.: CUS200



Metallic Frame Shelter TA54

The TAM shelters are rapid deployment modular tent systems, based on an externally positioned foldable aluminum frame with the fabric cover suspended on it. The TAMs new generation are set up very fast and can remain for long duration. The assembly time and ease are perfect for all types of base camps, hospitals etc.

Resistant and robust, the TAM tent can be efficiently used on every type of ground. They can be connected to each other in every direction (the connection is made with gable and side doors). The aluminum frame is foldaway thanks to articulations which open out. The tent is made up of high quality PVC coated fabrics which are fireproof and UV rays resistant. The main cover, the ground cloth and the gables are fitted in one piece by using high frequency sealing. The support is provided by our specialists all over the world.

Technical data:

Length: 900cm, Width: 600cm, Height: 330cm, Weight: 200kg

Length: 276 in, Width: 236 in, Height: 129 in, Weight: 440 lbs

Part no.: TA54



Features

- Set up in 10 minutes by 4 person
- Shadowing net
- Connection corridor between tent
- Logo and marking on request
- Colours:
 - Green NATO, sand and camouflage for military areas.
 - White and orange for civilian applications





Ansell Protective Solutions AB
Arenagatan 8B
215 33 Malmö, Sweden

Tel: +46 (0)10 205 1800
order.protective@ansell.com
<http://protective.ansell.com>