

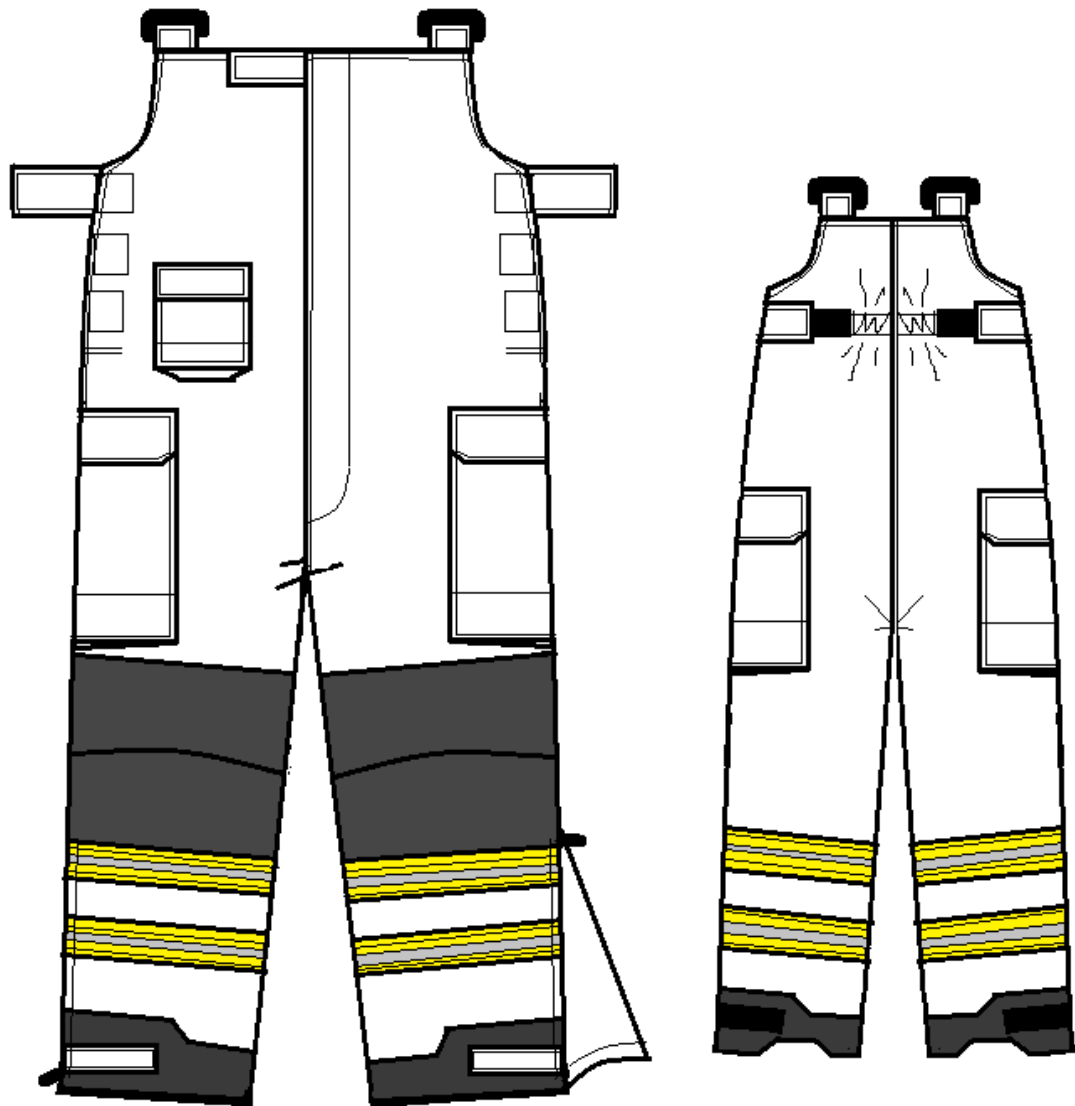
2018.01.16

SEAGULL



INTERNATIONAL CLOTHING

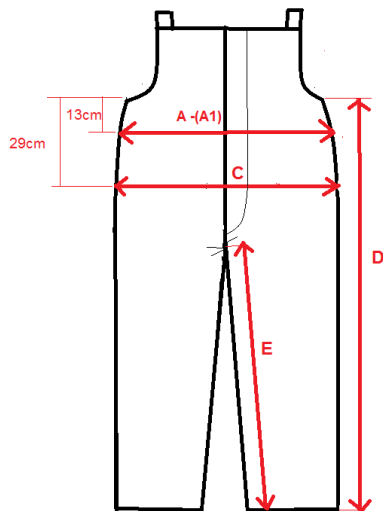
890461-Island



EN 469 -2014 XF2 – XR2 – Z2 – Y2

- 1) Outer material: 220 gr PBI Matrix
- 2) Inner material: 275 gr Quiltet materiale Nomex/viscose
Knitwear: Nomex 240g in front part of the legs
Membrane: PU in the legs
Kevlar on the knees and at the bottom
- 3) Zipper in the fly, in the legs 10 mm YKK Delrin
- 4) Reflex: striped 50mm reflex – twice round at the bottom with a space of 5cm between them.
- 5) Velcro/astracan: a fly strap with V/A closure

- The hip pocket in the right side
- 2 inner knee pockets (lining)
- 2 thigh pockets with flap
- side opening with V/A closure
- bottom strap with V/A closure
- 6) Pockets:
 - Two thigh pockets with flap
 - One hip pocket on right side of the front
 - Two inner pockets in the lining
 - Side opening in side seams.
- 7) Braces: black braces, detachable on the front and back side
- 8) Fix locks: black
- 9) Elastic: in the back waist
- 10) Numberlap: no
- 11) Kevlar strengthening at the bottom of the trousers legs +2cm outside, on the knee
- 12) The membrane is sewn on the lining.



890461 trousers measurements

	48	50	52	54	56	58	60	62	64
A waist width 1/2	52	54	55	57	58	60	62	64	66
C hip width 1/2	57	58	60	61	63	65	67	68	70
E inside leg length	73	73	73	75	75	75	75	75	75
D side leg length	113	113	114	116	117	117	118	118	118