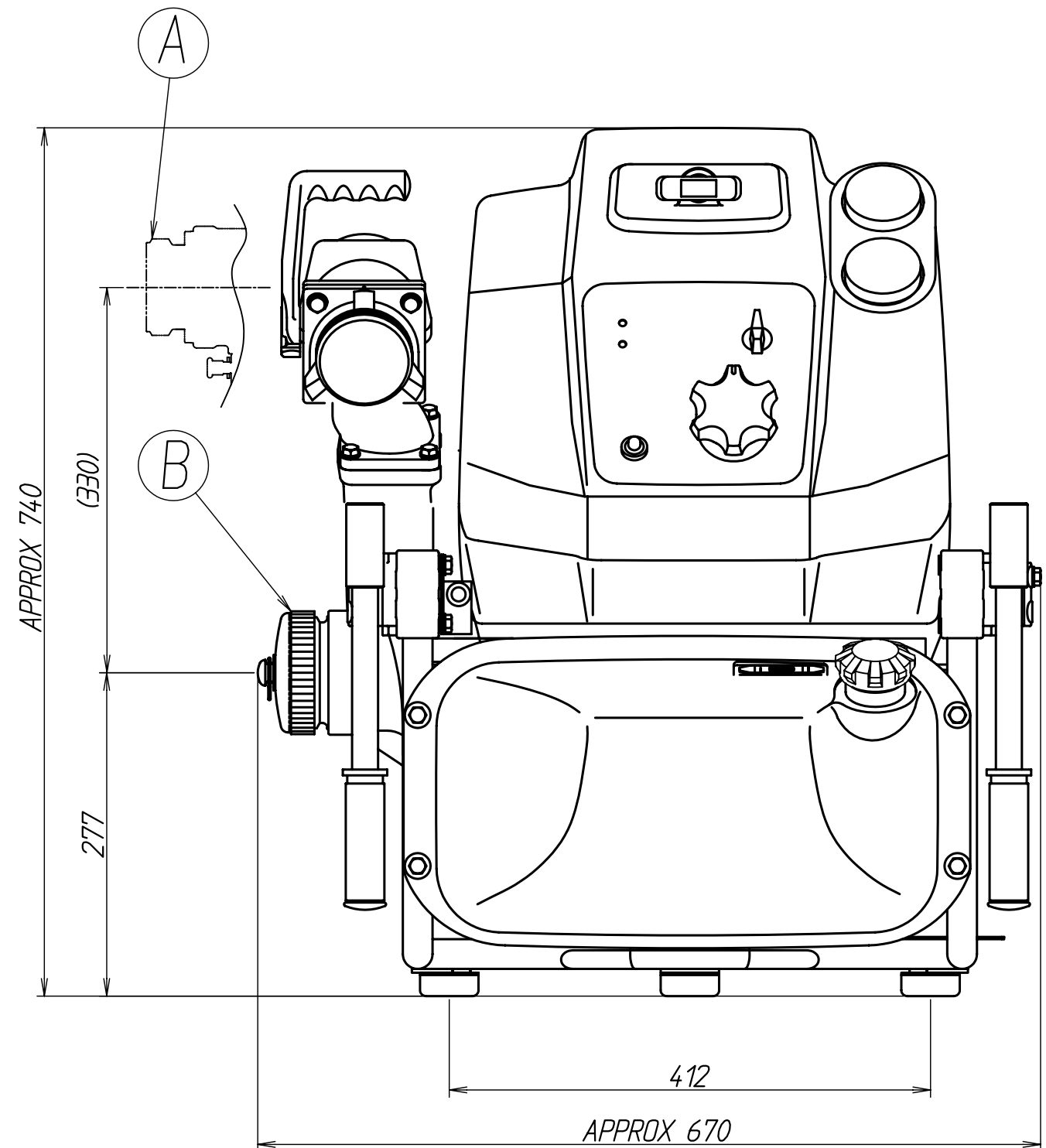
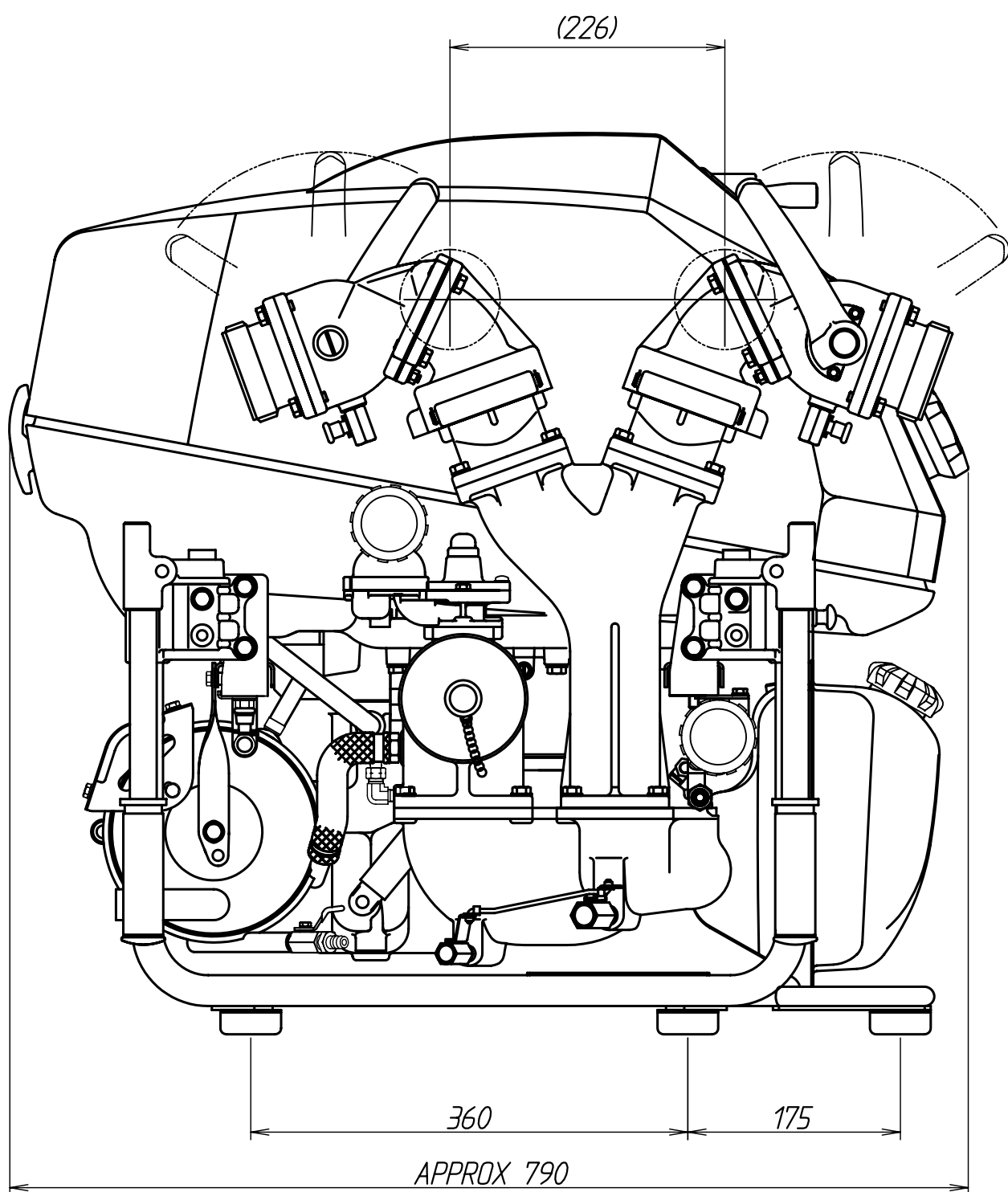


表面粗さの図示記号簡略記載例
Simplified indication of surface roughness; for example, $\sqrt{6.3} = \sqrt{Ra\ 6.3}$

削り加工一般寸法公差(直線)
General tolerance for machining (Straight line)
RANGE 0.5-6 Over 6-30 Over 30-120 Over 120-400
TOLERANCE ± 0.1 ± 0.2 ± 0.3 ± 0.5
General tolerance for machining (Form etc.) Shall conform to JIS B0419 Grade K.



A	Thread of Discharge Port	JIS B-9912 Dimension of Screwed Type Coupling for Fire Hose 2-1/2" ($\phi 82.5$ 5 Threads Per inch Angle of Threads 55°)	DATE M . D . Y NOV.7'2007	MODEL	VF53AS-VB
	吐出側ネジ	$W\phi 82.5 \begin{matrix} -0.46 \\ -0.73 \end{matrix}$ JIS B-9912 消防ネジ結合金具 呼び 65 山 5/吋ネジ 山角度 55°	PART NAME	OUTLINE DRAWING	
B	Thread of Suction Port	JIS B-9912 Dimension of Screwed Type Coupling for Fire Hose 3" ($\phi 95$ 4 Threads Per inch Angle of Threads 55°)	DRAW NO.	1P9-80066-0 00	
	吸水側ネジ	$W\phi 95 \begin{matrix} -0.55 \\ -0.86 \end{matrix}$ JIS B-9912 消防ネジ結合金具	TOHATSU		