



ADVANTAGES

Not sensitive to clogging

Flushing of particels up to 5 mm diameter

Reliable closing of the shut-off valve

Seperate shut-off valve

Improved spray pattern

Self protection water shield

60°, 30° fog pattern and full jet

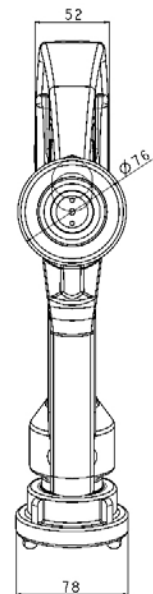
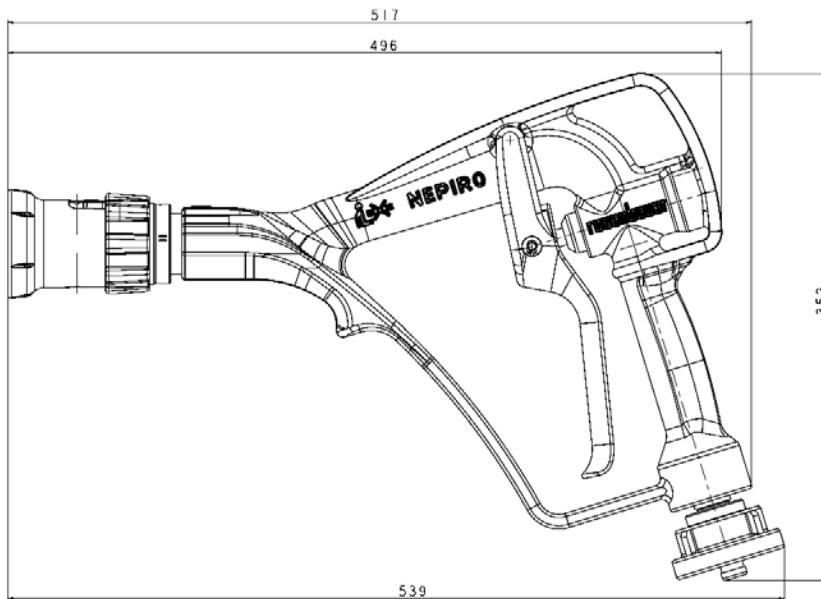
Ergonomic design

Large supporting surface

Reaction forces are directed to the rear hand

TECHNICAL DATA

Output:	200 l/min at 40 bar
Nozzle:	O-stream nozzle with continuously variable adjustment from full jet to spray and stop spring for: <ul style="list-style-type: none">- Full jet, 30°, 60° spray pattern- Water shield Flush opens the nozzle to a clear passage of 6 mm; Detachable nozzle shield to lock the optional foam barrel
Valve:	Actuation via trigger with optimised travel and reaction forces: <ul style="list-style-type: none">- Travel 30 mm- Reaction forces 75 N Continuously variable adjustment of the output from 0 up to 200 l/min; Integrated oil damping to avoid pressure peaks Shut-off valve with minimised pressure loss; Shut-off valve open a clear passage of 6 mm
Hose connection:	Smooth rotation of the swivel-joint with operating pressures of 40 bar
Casting:	Aluminum casting with rubber coating (PUR) for protection



NEPIRO Ergo
with HD STORZ 38 coupling

Art. no. 063783-001

OPTIONS

Bracket

Bracket made of plastic for a safe storage of the NEPIRO in the vehicle. Due to its special design it enables a quick take off for a fast attack.



Art. no. 521504-001

Foam Barrel

The nozzle shield can be removed during operation to lock the foam barrel. The combination of high pressure – o-stream nozzle – foam barrel produces an excellent foam quality.



Art. no. 522890-001

Rosenbauer International Aktiengesellschaft
4060 Leonding, Paschinger Straße 90 AUSTRIA

Tel.: + 43 (0)70 6794-0
Fax : + 43 (0)70 6794-91
E-Mail: office@rosenbauer.com
<http://www.rosenbauer.com>

Text and illustrations are not binding. The illustrations may show optional extras only available at extra charge. Rosenbauer reserves the right to alter specifications and dimensions given herein without prior notice