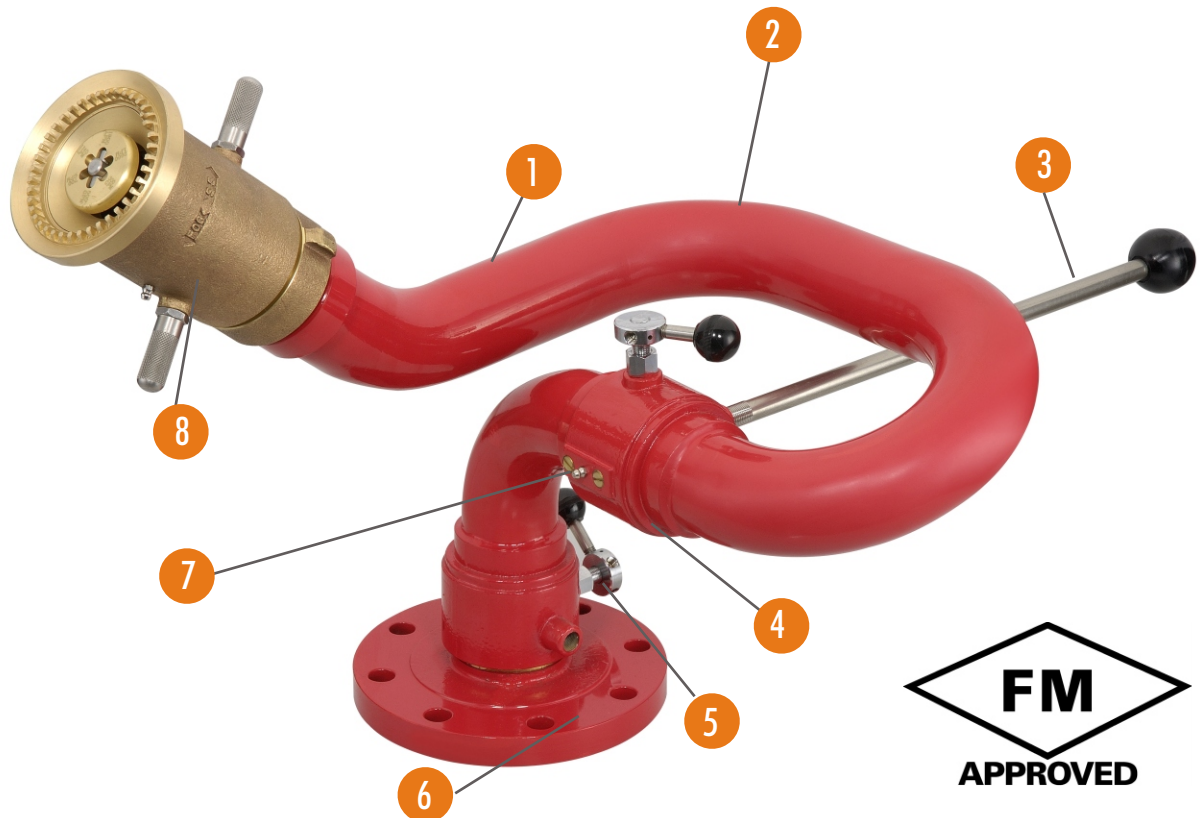
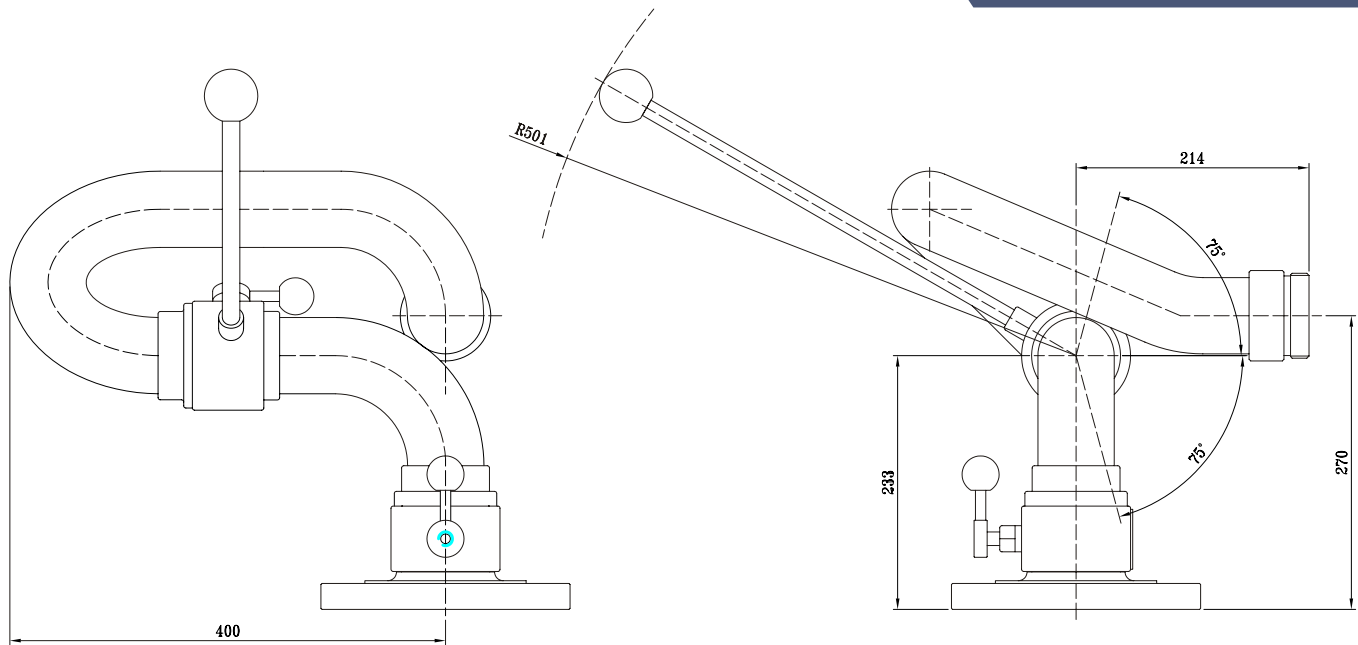


# Industrial Monitors

## Unique Features of Protek Industrial Monitors

- 1 One piece seamless brass tubing
- 2 Powder coating gives a tough corrosion resistant finish
- 3 Stainless steel lever
- 4 A double row of stainless steel ball bearing in monitor joints ensure easy movement even when monitor is under pressure
- 5 Positive friction locks on both horizontal and vertical
- 6 Able to be supplied with extensive inlet options
- 7 Grease fittings provided for easy maintenance
- 8 A comprehensive range of water and self-educing foam master stream nozzles available to fit for any application





## Style# 736

- Seamless brass 2.5" waterway for flow up to 1,250 GPM
- Corrosion resistant brass construction ideal for marine, offshore, Industrial, or other corrosive environment
- Smooth internal waterway for efficient flow
- 360 degree horizontal and 135 degree vertical travel 90 degree above to 45 degree below
- Cast brass swivel joints
- Stainless steel balls in all swivels.
- Stainless steel lever
- Positive friction locks on both horizontal and vertical travel to hold desired position
- Powder coating gives a tough corrosion resistant finish
- Operating pressure of 200 PSI (14 bar)

STYLE	HEIGHT	WIDTH	INLET	OUTLET	WEIGHT LBS	FLOW
						GPM
736	18"	18"	3" or 4" (F)	2-1/2"	45	1250