

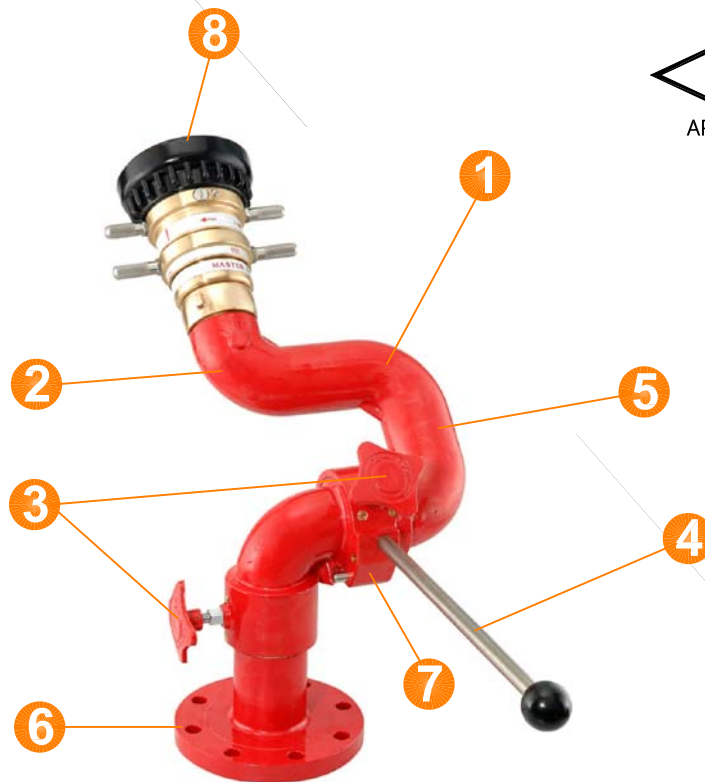
Industrial Monitor

Style 649

Unique Features of Protek Industrial Monitors

- 1 Flow turning vanes in each elbow efficiently reduce friction
- 2 Powder coating produces a tough, corrosion resistant finish
- 3 Positive friction locks with brass knob for both horizontal and vertical travel to hold desired position
- 4 Stainless steel lever for durability and easy control
- 5 Major components made from brass alloy (UNS C83600, ASTM B62) for a long-lasting service life
- 6 Optional flanges: ANSI, ASA, DIN or ISO
- 7 Double-row stainless steel ball bearings in monitor joints ensure smooth movements even when the monitor is under pressure
- 8 Compatible with Protek's diverse range of water and self-educing foam monitor nozzles for various applications

Style 649 monitor shown with Style 848-BC nozzle



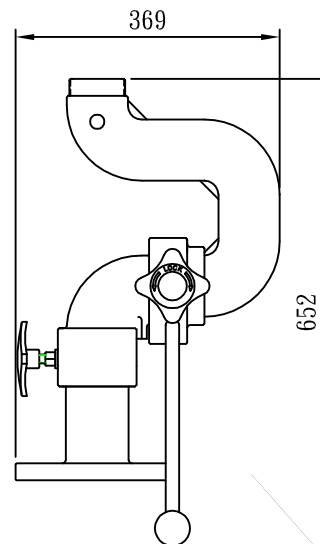
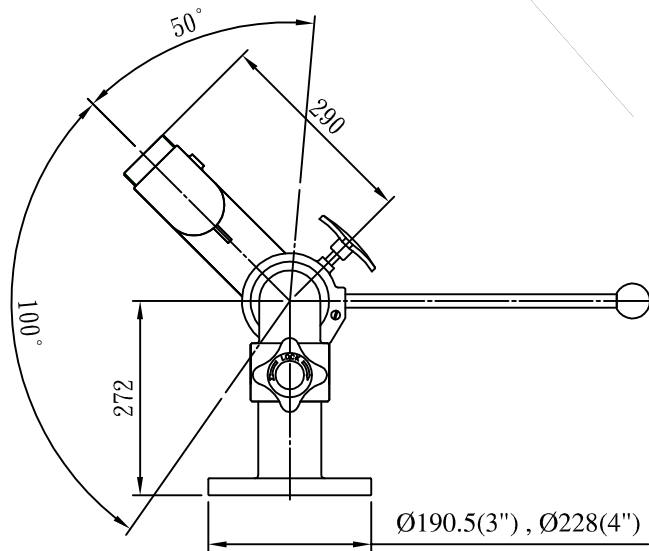
Industrial Monitor

Style 649

- Corrosion resistant brass construction ideal for marine, offshore, industrial and other corrosive environments
- Full 3" waterway for flow rate of up to 1250 GPM (4800 LPM)
- Cast-in turning vanes for efficient flow
- Full 360° rotation
- Vertical travel of 150° from 90° above and 60° below horizontal
- Positive friction locks with brass knob for both horizontal and vertical travel to hold desired position
- Operating pressure of 200 psi (14 bar)
- Stainless steel lever for durability and easy control
- FM approved

Specification

		Style 636		
Max. GPM (LPM)		1250 (4800)		
Inlet	Size	3"	4"	2-1/2"
	Type	Flange	Flange	Female Thread
Outlet		2-1/2"		
Control		Tiller Bar		
Material		Brass		
Finish		Red Powder Coating		
Friction Loss		18 psi at 1250 GPM		
		15 psi at 1000 GPM		
Travel		150° Vertical		
		360° Rotation		
Weight		56 Lbs. (25 kg)		
Cercification		FM		



UNIT: MM

